

# Interpreting the NEC for Structured Cabling

Tim Kuhlman, PE, RCDD, CDT  
TEECOM



2018 BICSI Fall Conference & Exhibition





# Safety Moment



2018 BICSI Fall Conference & Exhibition



*Bicsi*

# Schedule

- 9 a.m. to 10:15 a.m.
- 10:15 a.m. – **15 minute break**
- 10:30 a.m. to 12 p.m.
- 12 p.m. to 1:30 p.m. - **Lunch**
- 1:30 p.m. to 2:45 p.m.
- 2:45 p.m. – **15 minute break**
- 3 p.m. to 4:15 p.m.
- 4:15 p.m. - Q&A and wrap up
- 4:30 p.m. – **The End**



# Purpose of This Course

- Detail Review of the *National Electrical Code* as it Applies to Telecom Design
  - Overview of the NEC Structure
  - Interpreting Technique
  - Understanding Article 800
  - Article 725 Defined
  - Article 725 & 800 Similarities
  - 725 Power Limited Requirements
  - Classification of Cables



2018 BICSI Fall Conference & Exhibition



**Bicsi**

# Purpose of This Course

- Abandoned Cable
- Plenum Spaces
- Securing & Supporting Conductors
- Separation from Other Conductors
- Article 645 Information Technology Equipment
- Fiber Optic Cables
- Raceway
- Cable Tray
- Bonding of Conduit Sleeves
- Unlisted Cables Entering a Building
- Circuit Protection



2018 BICSI Fall Conference & Exhibition



**Bicsi**

# Purpose of This Course

- Not Covered in This Seminar
  - Audio Cables
  - Radio
  - Health Care Specific Requirements
  - Residential
- Intended Audience
  - Targeting Commercial and Industrial Environments

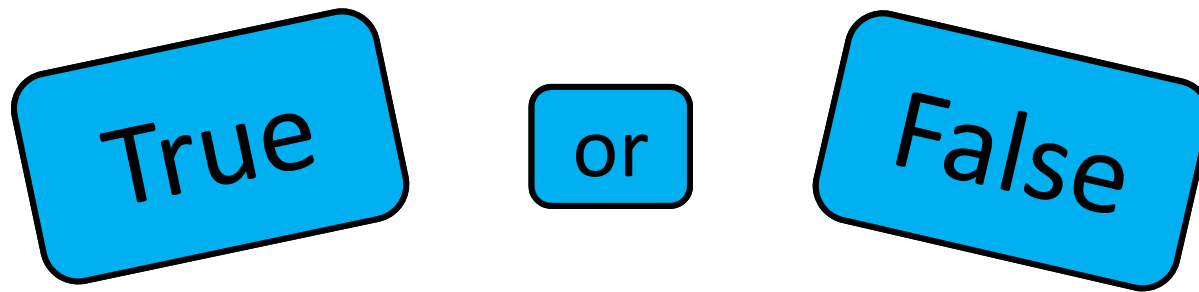


2018 BICSI Fall Conference & Exhibition



*Bicsi*

# True or False Panel of Experts



- I would like 5 volunteers that consider themselves experts in the National Electrical Code.
- Throughout the seminar we will be asking for our Panels of Experts opinion on whether a statement made by the Presenter is True or False.





# True or False

**Sample question for our Panel of Experts:**

True or False: Cable trays, when used in electrical installations, are limited to supporting wires and cables.



2018 BICSI Fall Conference & Exhibition



**Bicsi**



# True or False

## Sample question for our Panel of Experts:

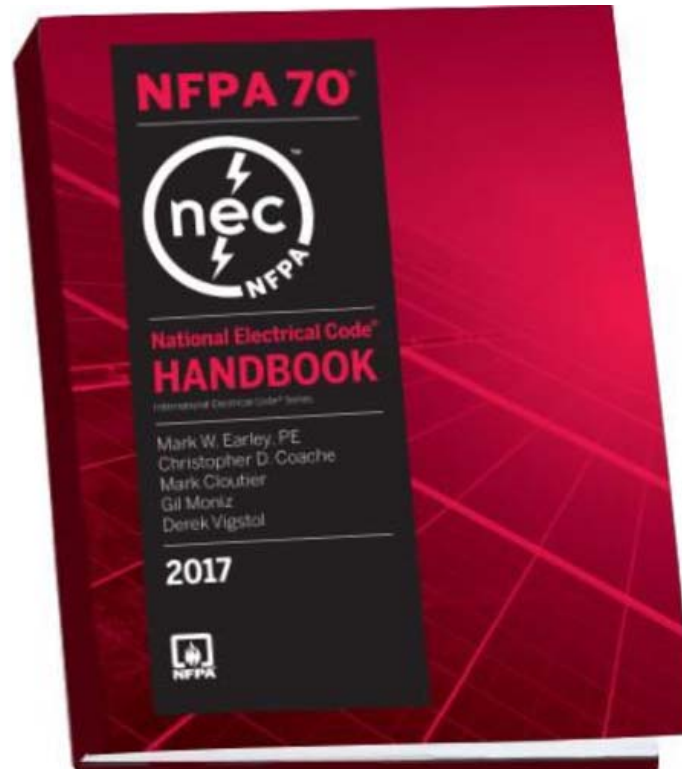
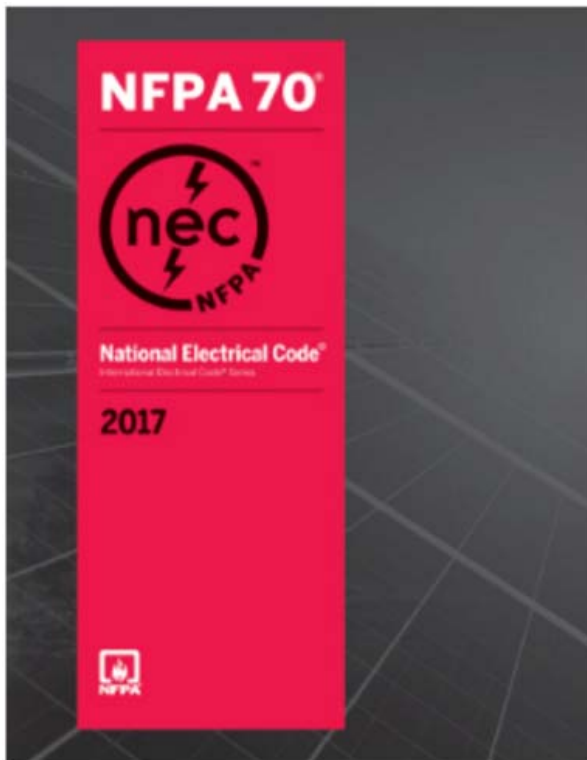
True or False: Cable trays, when used in electrical installations, are limited to supporting wires and cables. Answer: **False**

### 392.2 Definitions

**Cable Tray Systems.** *A unit or assembly of units or sections and associated fittings forming a structural system used to securely fasten or support cables and raceways.*



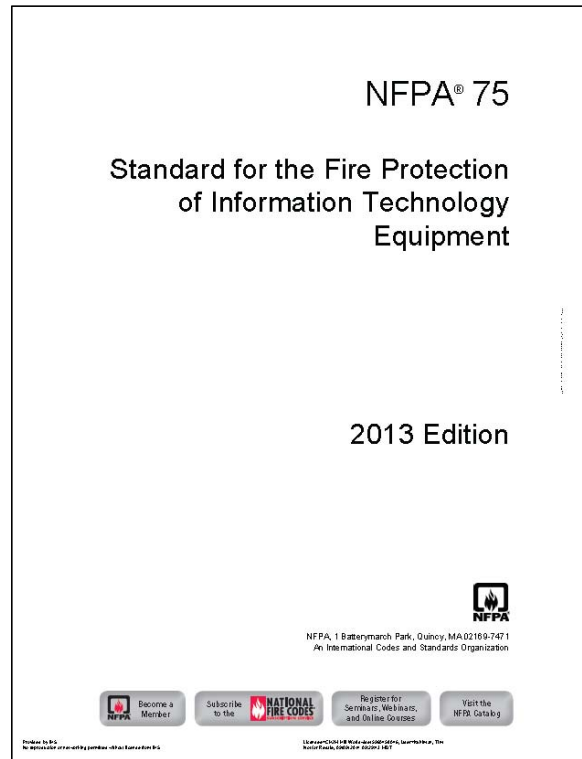
# References



2018 BICSI Fall Conference & Exhibition



# References



NFPA 2017 edition has been published but the 2017 edition of the NEC references the 2013 edition.



2018 BICSI Fall Conference & Exhibition



**Bicsi**

# Color Code for This Presentation

- Items in a box are a direct quote from the NEC.
- Items with a Red Underline are editorial highlights.
- Items in black presentation text are partial NEC quotes, editorial notes, comments or conclusions.
- Items from the code that are changes in the 2017 edition appear in underline and sometimes ~~text-strikeout~~.



2018 BICSI Fall Conference & Exhibition



**Bicsi**

# Code Interpretations

- Through the course of this seminar we will be making Code interpretations.
  - The interpretations in this seminar may differ from
    - Your interpretation
    - The interpretation from your local inspector
  - Interpretations will be made based on:
    - Text, taken in context, and definitions of the NEC
    - Text from supporting NFPA documents
    - The NEC Handbook; considered as an expert opinion
    - Other documents, such as UL Standards, referenced by the NEC in informational notes



2018 BICSI Fall Conference & Exhibition



**Bicsi**

# NEC® Structure



- The National Electrical Code is not written for the casual reader. To properly interpret the Code, you must know:
  - Who is it written for
  - The NEC organization
  - The NEC definitions
  - How to apply this to telecommunications



2018 BICSI Fall Conference & Exhibition



**Bicsi**



# NEC® Authoring

- NFPA 70® aka the NEC®
  - Authored by the NFPA using a consensus standards process
  - Volunteers from the industry serve on different Article Committees to consider revisions and updates to the Code.
  - Code Panel 16 includes Articles 770 & 800, 810, 820, 830 and 840
    - Representing BICSI – Robert Jensen, dbi, TX
    - Representing NECA – W. Douglas Pirkle, , dbi, GA
    - Representing UL – Randolph Ivans, UL, NY



2018 BICSI Fall Conference & Exhibition



**Bicsi**



# NEC® Authoring

- Code Panel 3 includes Articles 300 & 725
  - Representing BICSI – Ray Keden, Pentair-ERICO, CA
  - Representing BICSI – Richard Anderson, RTKL Assoc. VA (Alt to Ray Keden)
  - Representing IEEE – T. David Mills, David Mills and Assoc., GA
  - Representing Travelers Insurance Co, - John E. Sleights, CT
- There are many other volunteers.
- The makeup of the Code panels help to ensure there isn't bias towards one interest, manufacturer, industry or representative.



2018 BICSI Fall Conference & Exhibition



**Bicsi**

# Who is the NEC® Written For?



- Refer to Article 90 – Introduction
- 90.1 Purpose

**(A) Practical Safeguarding.** *The purpose of this Code is the practical safeguarding of persons and property from hazards arising from the use of electricity. This Code is not intended as a design specification or an instruction manual for untrained persons.*

- Note: The Code does not address system performance unless the performance of a system could compromise safeguarding.

Answer to the panel question: Is the NEC intended to be used as a design guide? False. It is not a design guide, design spec or an instruction manual.



# Who is the NEC® Written For?

- Article 90 Introduction
- 90.1 Purpose
  - Its intended audience are people that already have an understanding of electrical systems
  - It's not a training manual
  - It does not provide values for design performance



2018 BICSI Fall Conference & Exhibition



**Bicsi**

# Who is the NEC® Written For?

- *History and Development of the NEC:*

*This Code is purely advisory as far as the NFPA is concerned. It is made available for a wide variety of both public and private uses in the interest of life and property protection....*

- 90.4 Enforcement

**90.4 Enforcement.** *This Code is intended to be suitable for mandatory application by governmental bodies that exercise legal jurisdiction over electrical installations, including signaling and communications systems, and for use by insurance inspectors. ...*



# Who is the NEC<sup>®</sup> Written For?

- *90.2 Scope*

**(A) Covered.** *This Code covers the installation and removal of electrical conductors, equipment, and raceways; signaling and communication conductors, equipment, and raceways; and optical fiber cables and raceways for the following:*

- *(1) Public and private premises, buildings, structures, mobile homes, RV's...*
- *(2) Yards, Lots, carnivals....*
- *(3) Installation of conductors and equipment that connect to the supply of electricity.*



# Who is the NEC® Written For?

- *90.2 Scope*

**(B) Not Covered.** *This Code does not cover the following:*

- (1) *Installations in ships, watercraft other than floating buildings, railway rolling stock, aircraft, or automotive vehicles other than mobile homes and recreational vehicles...*
- (2) *Installations underground in mines...*
- (3) *Installations of railways for generation, transformation, transmission, energy storage, or distribution of power used exclusively for operation of rolling stock...*



2018 BICSI Fall Conference & Exhibition



**Bicsi**

# Who is the NEC® Written For?

- *90.2 Scope*
  - (4) *Installations of communications equipment under the exclusive control of communications utilities located outdoors or in building spaces used exclusively for such installations.*
  - (5) *Installations under the exclusive control of an electric utility where such installations....*
- Informational note in this article helps to define a “utility”

Answer to the panel question: Is the NEC intended to be used by your local telephone company? False. Although Utility could adopt the Code, they may not be obligated to follow it.



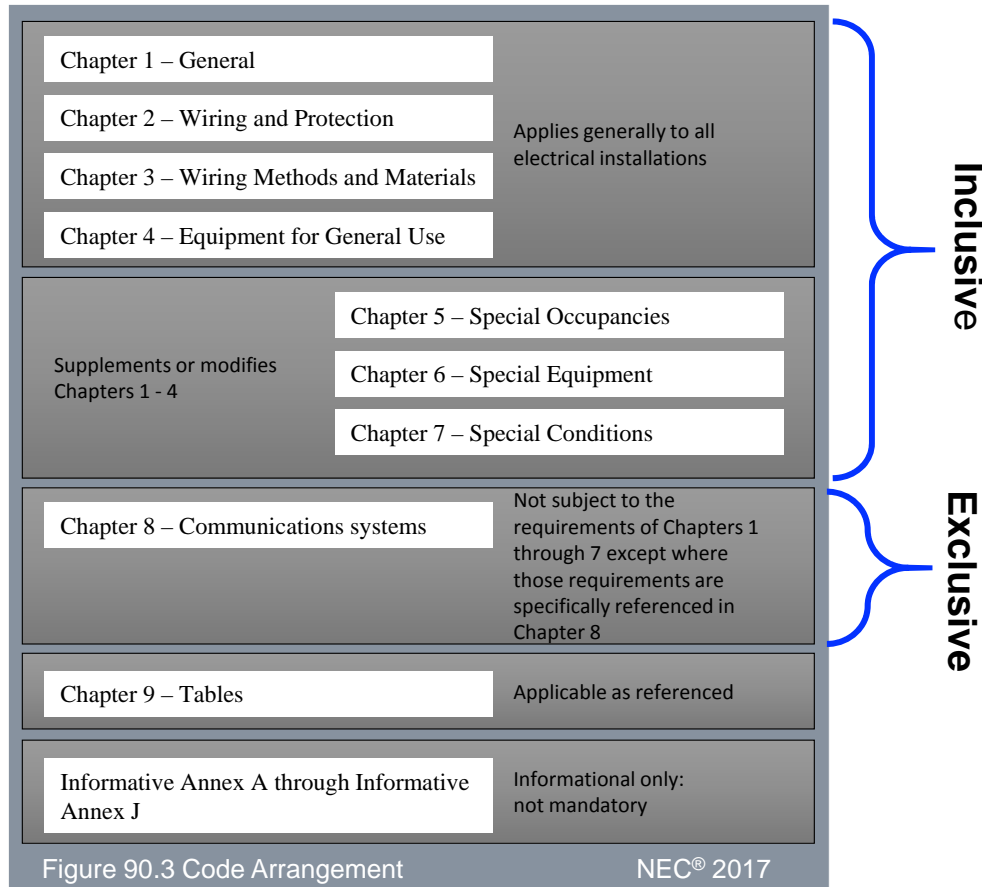
2018 BICSI Fall Conference & Exhibition



**Bicsi**



# NEC® Organization



- 90.3 Code Arrangement
  - Chapters 1, 2, 3 & 4 generally apply unless amended by Chapters 5, 6 or 7.
  - Unless Chapter 8 references another section of the Code, other sections do not apply to a Chapter 8 item.



# NEC® Organization

- Chapters 1, 2, 3 & 4 generally apply unless amended by Chapters 5, 6 or 7.
- For Example:
  - Article 725 - Class 1, Class 2, and Class 3 Remote-Control, Signaling, and Power Limited Circuits.

**725.3 Other Articles.** *Circuits and equipment shall comply with the articles or sections listed in 725.3(A) through (N). Only those sections of Article 300 referenced in this article shall apply to Class 1, Class 2, and Class 3 circuits.*

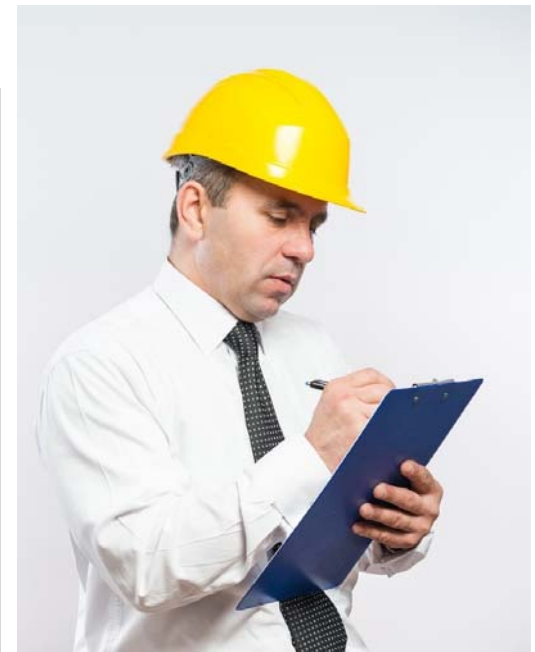


# Enforcement

- **90.4 Enforcement**

**90.4 Enforcement.** This *Code* is intended to be suitable for mandatory application by governmental bodies that exercise legal jurisdiction over electrical installations, including signaling and communications systems, and for use by insurance inspectors. The authority having jurisdiction for enforcement of the *Code* has the responsibility for making interpretations of the rules, for deciding on the approval of equipment and materials, and for granting the special permission contemplated in a number of the rules.

...



2018 BICSI Fall Conference & Exhibition



**Bicsi**

# Enforcement

- Enforceable by the AHJ (Authority Having Jurisdiction).
- Interpreted by the AHJ through its enforcement.
- The interpretations of what you may have to apply may be different than what we discuss today.
- The AHJ may waive specific requirements.
- The Code may require new products or methods that may not yet be available. The AHJ can rule on using the previous edition of the Code.
- It is recommended to get any AHJ Code rulings or interpretations in writing.



# NEC® Definitions



- To properly interpret the code, it is necessary to understand the NEC's definitions to have the proper context of the rules.
- Article 100 has a list of definitions.
- Individual Articles will have additional definitions.
  - Article 800 is a standalone article but references Article 100 in 800.2. Therefore Article 100 applies. The terms defined in Article 90 Introductions also applies.

Question to the panel question: Are informational notes in the Code considered mandatory and enforceable parts of the Code? False.



2018 BICSI Fall Conference & Exhibition



**Bicsi**

# NEC® Definitions

For Example, Article 725:

- This section modifies Chapter 1 through 4 but does not modify the definitions of Article 100, therefore they apply.
- Article 725 has additional definitions.

## Other Definitions

- Refer to words used in context by the NEC®
- Refer to the NEC® Handbook.
- Refer to other NFPA documents



2018 BICSI Fall Conference & Exhibition



**Bicsi**

# NEC® Definitions

- Other Definitions

- 90.5 Mandatory Rules, Permissive Rules, and Explanatory Material

**(C) Explanatory Material.** Explanatory material, such as references to other standards, references to related sections of this *Code*, or information related to a *Code* rule, is included in this *Code* in the form of informational notes. Such notes are informational only and are not enforceable as the requirements of this Code.

...

- Definitions from the IEEE, TIA and BICSI may not apply to directly to an NEC® interpretation.

Answer to the panel question: Are informational notes in the Code considered mandatory and enforceable parts of the Code? False.



2018 BICSI Fall Conference & Exhibition



**Bicsi**



# Interpreting Techniques

**(2) Composite Cables.** Cables constructed of individually listed Class 2, Class 3, and communications cables under a common jacket shall be permitted to be classified as communications cables. The fire resistance rating of the composite cable shall be determined by the performance of the composite cable.

In a typical office environment consisting of a group of computers in a local area network, data wiring is as prevalent as telephone wiring. A common way to minimize the amount of cabling is to run the telephone and data circuits in the same cable. Exhibit 725.4 illustrates such an arrangement. Section 725.139(D) requires that a communications cable be used for this purpose.

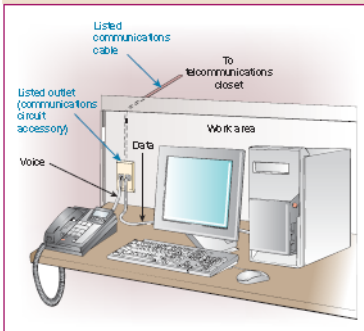


Exhibit 725.4 Telephone and data circuits in the same cable.

**(E) Class 2 or Class 3 Cables with Other Circuit Cables.** Jacketed cables of Class 2 or Class 3 circuits shall be permitted

**System Circuits.** Audio system circuits described in 640.9(C), and installed using Class 2 or Class 3 wiring methods in compliance with 725.133 and 725.154, shall not be permitted to be installed in the same cable or raceway with Class 2 or Class 3 conductors or cables.

#### 725.141 Installation of Circuit Conductors Extending Beyond One Building

Where Class 2 or Class 3 circuit conductors extend beyond one building and are run so as to be subject to accidental contact with electric light or power conductors operating over 300 volts to ground, or are exposed to lightning on interbuilding circuits on the same premises, the requirements of the following shall also apply:

- (1) Sections 800.44, 800.50, 800.53, 800.93, 800.100, 800.170(A), and 800.170(B) for other than coaxial conductors
- (2) Sections 820.44, 820.93, and 820.100 for coaxial conductors

#### 725.143 Support of Conductors

Class 2 or Class 3 circuit conductors shall not be strapped, taped, or attached by any means to the exterior of any conduit or other raceway as a means of support. These conductors shall be permitted to be installed as permitted by 300.11(B)(2).

See the commentary following 725.24 for more information on the support of conductors.

#### 725.154 Applications of Listed Class 2, Class 3, and PLTC Cables

Class 2, Class 3, and PLTC cables shall comply with any of the requirements described in 725.154(A) through (H).

**(A) Plenums.** Cables installed in ducts, plenums, and other spaces used for environmental air shall be Type CL2P or

- Start with NEC® and definitions
- Use the NEC® Handbook as an expert opinion of the Code.
  - The editorial notes in the handbook are not the Code itself but provide insight to the meaning of the Code. It also provides illustrations that the NEC® does not.
- If you submit a technical request to the NFPA, you may get a direct response from a NEC® Handbook author.



# Interpreting Techniques

- The Code is not written in a form that makes it the easiest to understand.
- It is not uncommon for the Code to write with run-on sentences.
- For Example:

## **90.2 Scope.**

**(A) Covered.** *This Code covers the installation and removal of electrical conductors, equipment, and raceways; signaling and communication conductors, equipment, and raceways; and optical fiber cables and raceways for the following:*



# Interpreting Techniques

- Article 90 Introduction

**90.2 Scope.**

**(A) Covered.** *This Code covers the installation and removal of electrical conductors, equipment, and raceways; signaling and communication conductors, equipment, and raceways; and optical fiber cables and raceways for the following:*

- Note the semicolons breaking up the list.
- Punctuation is important.

Let's eat grandma.  
Let's eat, grandma.



# Interpreting Techniques

- Article 90 Introduction
  - **90.2 Scope – (Rewritten with bullets instead of semicolons.)**
    - **(A) Covered.** *This Code covers the installation and removal of*
      - *Electrical conductors, equipment, and raceways;*
      - *Signaling and communication conductors, equipment, and raceways;*  
*and*
      - *Optical fiber cables and raceways for the following:*

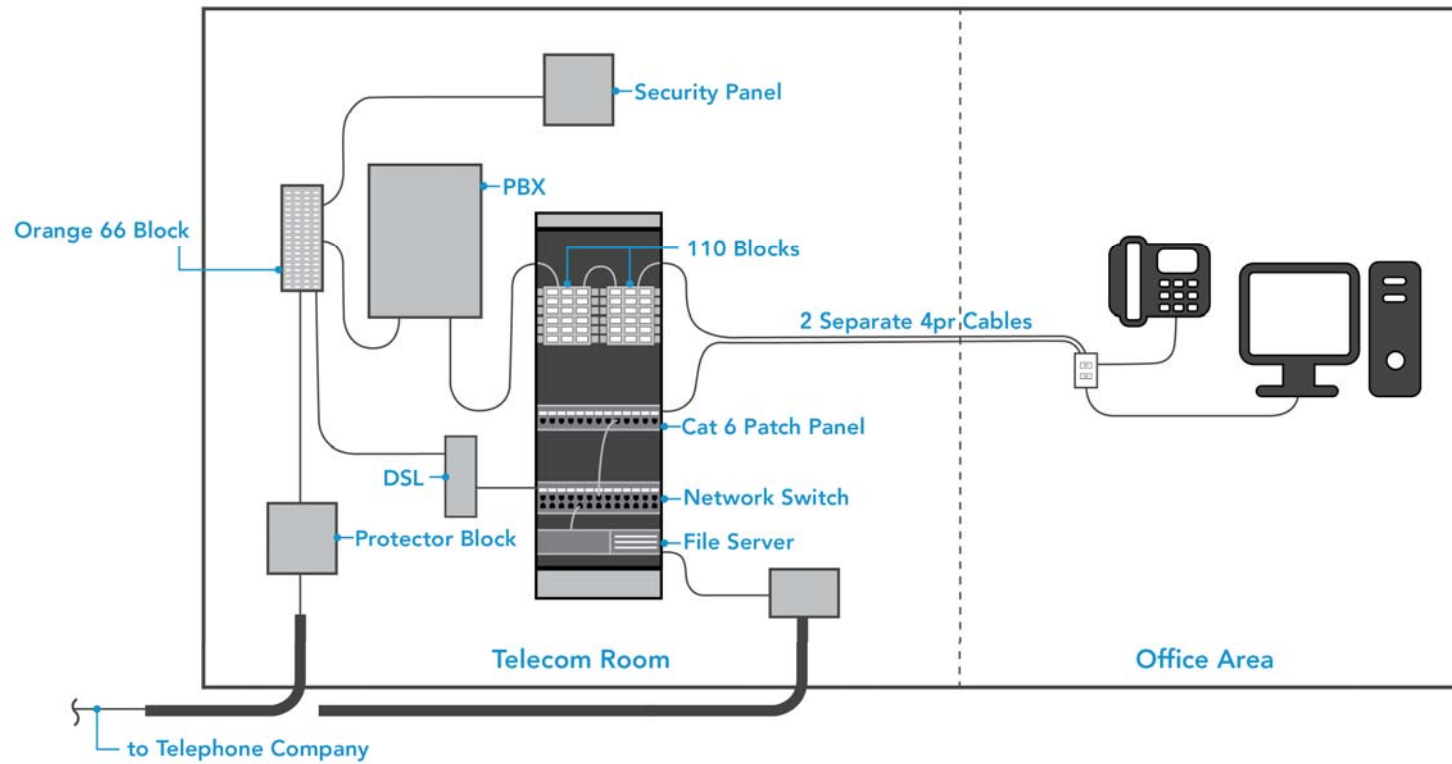


2018 BICSI Fall Conference & Exhibition



**Bicsi**

# Interpretation Example



# Interpretation Example

- In this example we will look at what is the actual scope of Article 800.
- Let's ask the question: Does Article 800 apply to the installation of a Category 6 cable from a network switch and PBX to a workstation outlet?

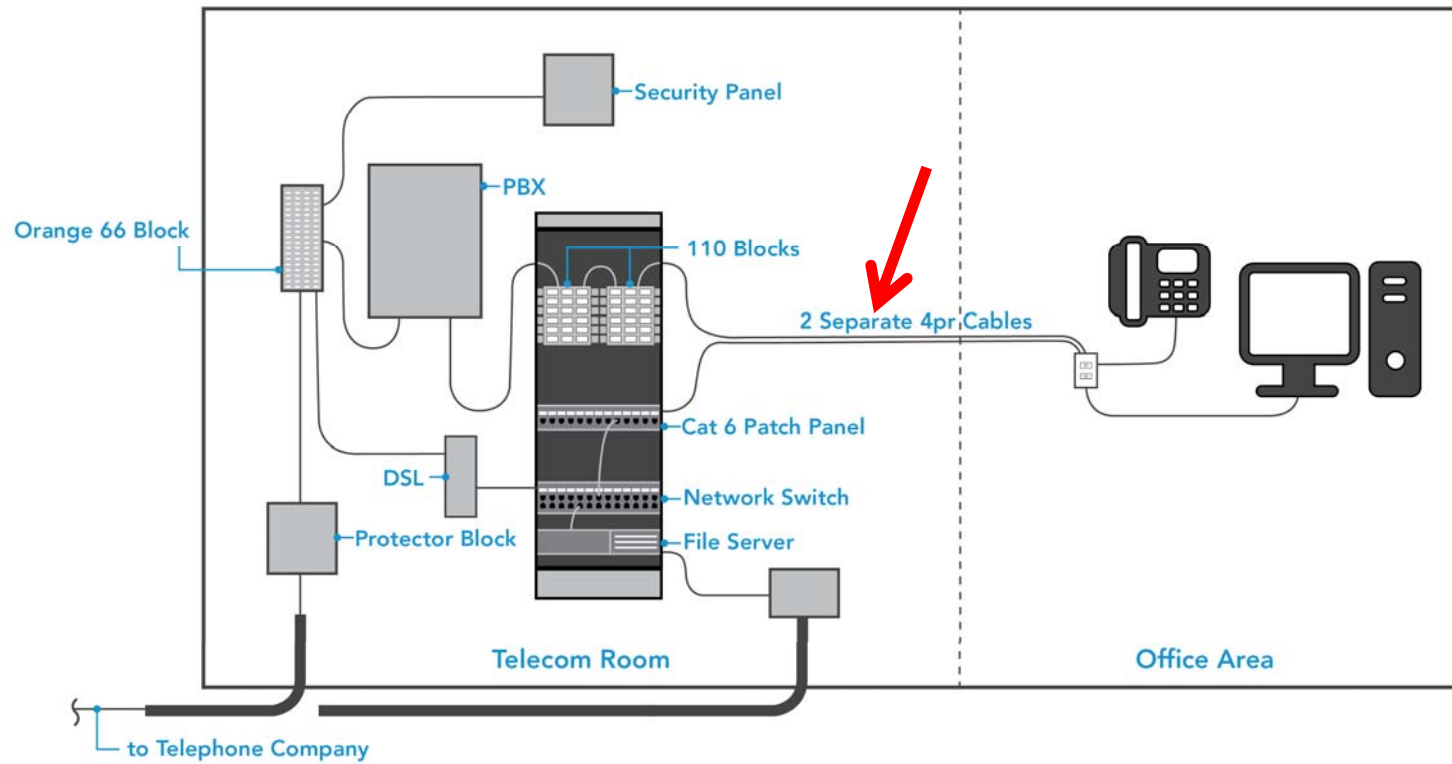


2018 BICSI Fall Conference & Exhibition



**Bicsi**

# Interpretation Example





# Understanding Article 800

**800.1 Scope.** *This article covers communications circuits and equipment.*

*Informational Note No. 1: See 90.2(B)(4) for installations of communications circuits and equipment that are not covered.*

*Informational Note No. 2: For further information for remote-control, signaling, and power-limited circuits, see Article 725.*

*Informational Note No. 3: For further information for fire alarm systems, see Article 760.*

- Informational notes identify what is not in scope for Article 800.



2018 BICSI Fall Conference & Exhibition



**Bicsi**

# Understanding Article 800

- The scope in description is brief.
  - **800.1 Scope.** *This article covers communications circuits and equipment.*
- What is a “Communication Circuit”?
- General knowledge of what a communication circuit is does not matter. What does matter is what the NEC defines as a Communication Circuit.
- Let’s look at 800.2 Definitions



# Understanding Article 800

- *800.2 Definitions*

**800.2 Definitions** See Part 1 of Article 100. For the purposes of this article, the following additional definitions apply.

**Communications Circuit.** *The circuit that extends voice, audio, video, data, interactive services, telegraph (except radio), outside wiring for fire alarm and burglar alarm from the communications utility to the customer's communications equipment up to and including terminal equipment such as a telephone, fax machine, or answering machine.*



# Understanding Article 800

- To assist in interpreting this definition:
  - Re-write the sentence to make it easier to understand but do not change the meaning.
  - For items in a list, break out the listed items or write the sentence out several times using each listed item individually.



2018 BICSI Fall Conference & Exhibition



**Bicsi**

# Understanding Article 800

- **Communications Circuit.**

*The circuit that extends:*

- *voice*
- *video*
- *interactive services,*
- *outside wiring for fire alarm*
- *audio*
- *data*
- *telegraph (except radio)*
- *and burglar alarm*

*from the communications utility to the customer's communications equipment up to and including terminal equipment such as*

- *a telephone*
- *fax machine*
- *or answering machine.*



2018 BICSI Fall Conference & Exhibition



**Bicsi**

# Understanding Article 800

- **Communications Circuit.** *The circuit that extends voice ... from the communications utility to the customer's communications equipment up to and including terminal equipment such as a telephone....*

OR

- **Communications Circuit.** *The circuit that extends data ... from the communications utility to the customer's communications equipment up to and including terminal equipment such as a fax machine....*



2018 BICSI Fall Conference & Exhibition



**Bicsi**

# Understanding Article 800

- Voice
- Audio
- Video
- Data
- ....

- Communications Circuit. The circuit that extends (a service) ... from the communications utility to the customer's communications equipment up to and including terminal equipment such as a fax machine....
- The key to understanding this definition is to recognize a communication circuit is defined as “extending from a communication utility.”





# Understanding Article 800

- **Therefore if the Scope of 800 is** *“This article covers communications circuits and equipment.”, per the definition of a communication circuit:*
  - ***This article covers*** The circuit that extends (a service) ... from the communications utility to the customer’s communications equipment....



2018 BICSI Fall Conference & Exhibition



**Bicsi**

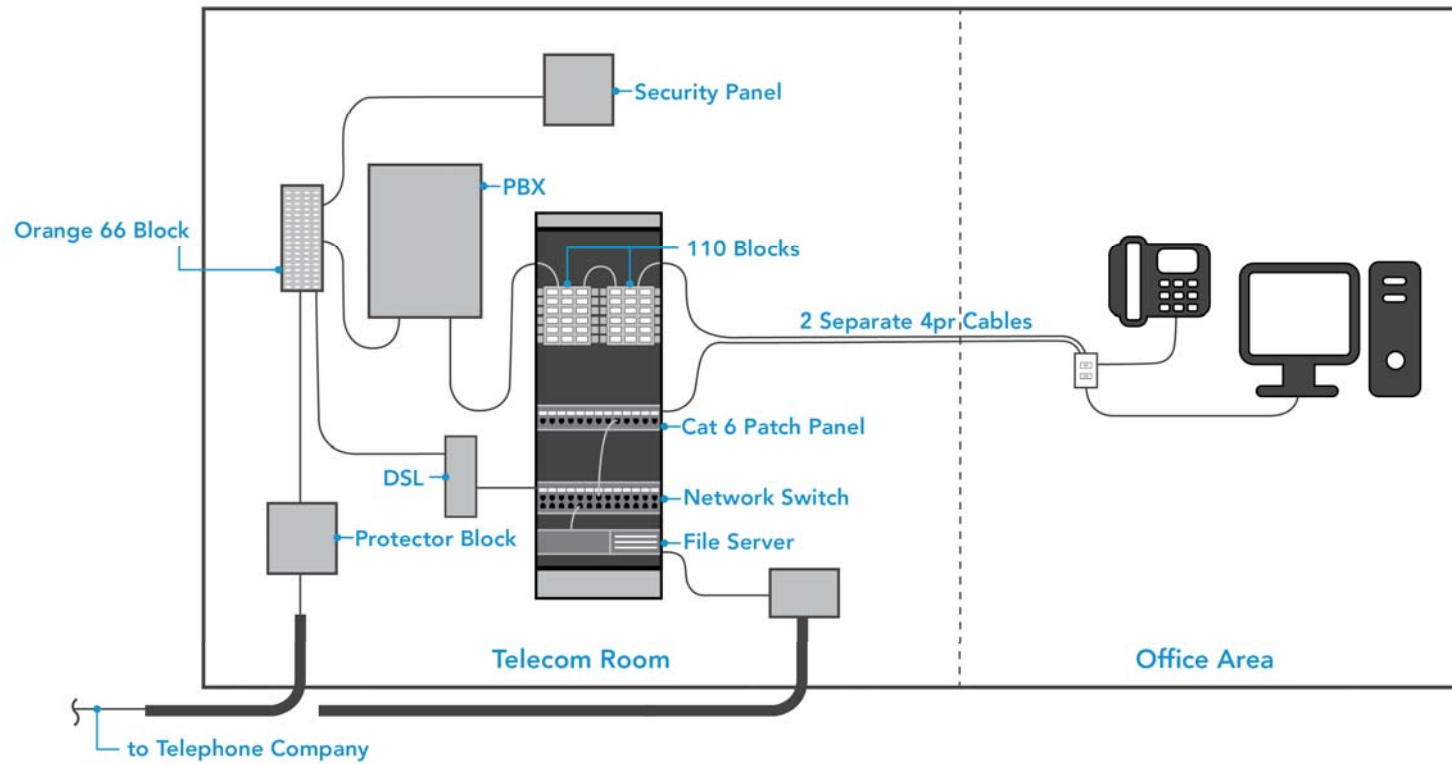
# Understanding Article 800

- **A Utility is defined in 90.2 (B) Not Covered**

Informational Note to (4) and (5): Examples of utilities may include those entities that are typically designated or recognized by governmental law or regulation by public service/utility commissions an that install, operate and maintain electric supply (such as generation, transmission, or distribution systems) or communications systems (such as telephone, CATV, internet, satellite, or data services). Utilities may be subject to compliance with codes and standards covering their regulated activities as adopted under governmental law or regulation. Additional information can be found through consultation with the appropriate governmental bodies, such as state regulatory commissions, the Federal Energy Regulatory Commission, and the Federal Communications Commission.



# Interpretation Example



# Understanding Article 800

- **From the NEC® Handbook (800.1 Scope):**

Although information technology equipment systems are often used for or with communications systems, Article 800 does not cover the wiring of this equipment.

See Also:

**Article 645** provides requirements for wiring contained solely within an information technology equipment (computer) room. (See 645.4 for a description of the type of information technology equipment room to which Article 645 applies.)

**Article 725** provides requirements for wiring that extends beyond a computer room and also covers wiring of local area networks within buildings.

**Article 760** covers wiring requirements for fire alarm systems.



# Understanding Article 800

## From the NEC® Handbook (800.1 Scope):

Section 90.3 specifies that Chapter 8 covers communications systems and is not subject to the requirements of Chapters 1 through 7, other than where Chapter 8 specifies a requirement. In some cases, telephone system wiring is also used for data transmission, which is covered by Article 800. However, 90.2(B)(4) exempts telephone company central offices from Article 800. Exhibit 800.1 shows an example of the type of equipment that is subject to the requirements of Article 800.

In the 2017 NEC® Handbook, the editor removed “Communications equipment, such as private branch exchange shown in Exhibit 800.1, and all of the premises wiring for communication circuits, are subject to the requirements of Article 800.”



2018 BICSI Fall Conference & Exhibition



**Bicsi**

# Answer to our Question

- Our Question:
  - Does Article 800 apply to the installation of a Category 6 cable from a network switch and PBX to a workstation outlet?
- Answer (interpretation):
  - The Category 6 data cable from the network switch is not covered by 800 but instead covered by 725.
  - The Category 6 cable from the PBX to the outlet is covered by Article 800 if the PBX is owned by the Utility or extends a circuit from the Utility.



2018 BICSI Fall Conference & Exhibition



**Bicsi**

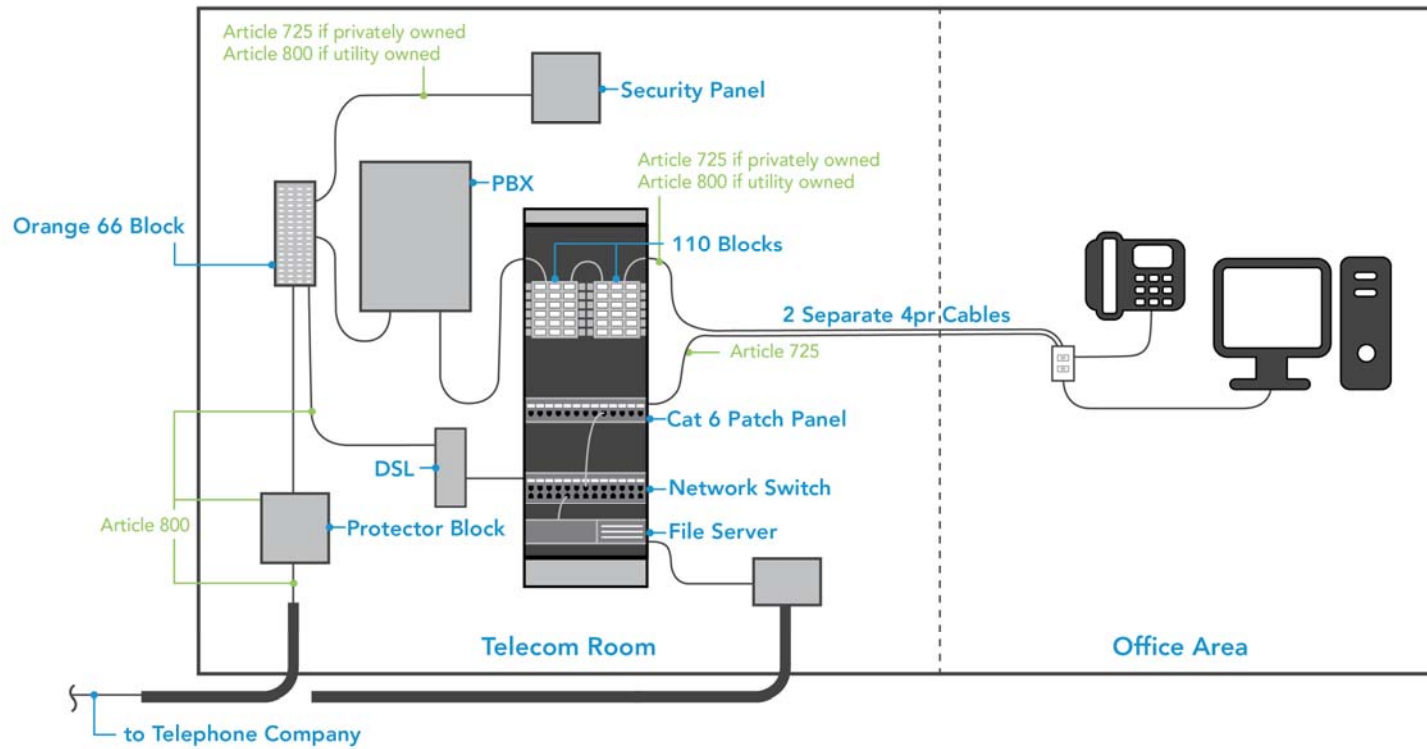
# Answer to our Question

- Answer Continued:
  - The Category 6 cable from the PBX to the outlet is covered by Article 725 if the PBX is privately owned. Per the definition of a communications circuit, the circuit stops at the customer's equipment.
    - Note: The NEC® 2014 Handbook, may also be covered by Article 800. Per the NEC® 2017 Handbook, it may not be covered by 800.
  - If the telephone circuit was a customer owned VOIP circuit, it would be covered by Article 725.
  - If the telephone circuit was a Utility owned VOIP circuit, it would be covered by Article 800.





# Interpretation Example



2018 BICSI Fall Conference & Exhibition



# Interpretation Summary

- Review the definitions as defined by the NEC. Don't rely on conventional wisdom or trade knowledge.
- When interpreting run-on sentences with lists of items, carefully examine the sentence to interpret the meaning.
- Use the NEC Handbook as an expert opinion.



2018 BICSI Fall Conference & Exhibition



**Bicsi**



**Questions?**



2018 BICSI Fall Conference & Exhibition



**Bicsi**

# Article 725 Defined

- **Article 645 Information Technology Equipment**

**645.1 Scope.** This article covers equipment, power-supply wiring, equipment interconnecting wiring, and grounding of information technology equipment and systems in an information technology equipment room.

- **645.3 Other Articles**

**(D) Electrical Classification of Data Circuits.** Section 725.121(A)(4) shall apply to the electrical classification of listed information technology equipment signaling circuits. Sections 725.139(D)(1) and 800.133(A)(1) (c) shall apply to the electrical classification of Class 2 and Class 3 circuits in the same cable with communications circuits.



# Article 725 Defined

- **Article 725 Class 1, Class 2 and Class 3 Remote-Control, Signaling, and Power- Limited Circuits**
  - LANs: Ethernet Networks, Token Ring, Arcnet, Latticenet are class 2 or class 3 power limited circuits as defined by their UL listing as information technology equipment or their power supplies.
- **725.2 Definitions.**

**Class 2 Circuit.** The portion of the wiring system between the load side of a Class 2 power source and the connected equipment. Due to its power limitations, a Class 2 circuit considers safety from a fire initiation standpoint and provides acceptable protection from electrical shock.



# Article 725 Defined

- **725.2 Definitions.**

**Class 3 Circuit.** The portion of the wiring system between the load side of a Class 3 power source and the connected equipment. Due to its power limitations, a Class 3 circuit considers safety from a fire initiation standpoint. Since higher levels of voltage and current than for Class 2 are permitted, additional safeguards are specified to provide protection from an electric shock hazard that could be encountered.

- Note: Class 2 and Class 3 circuits have almost identical cabling requirements.



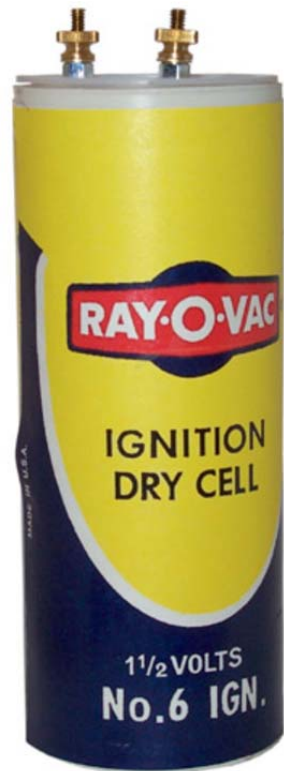


# Article 725 Defined

- **Article 725.121 Power Sources for Class 2 and Class 3 Circuits.**

**(A) Power Source.** A power source for a Class 2 or Class 3 circuit shall be as specified in 725.121(A)(1), (A)(2), (A)(3), (A)(4), or (A)(5):

- (1) A Listed Class 2 transformer
- (2) A Listed Class 2 power supply
- (3) Other listed equipment marked to identify the Class 2 power source
- (4) .....[See next slide]
- (5) A dry cell battery shall be considered an inherently limited Class 2 power source, provided the voltage is 30 volts or less and the capacity equal to or less than that available from series connected No. 6 carbon zinc cells.





# Article 725 Defined

- Article 725.121 Power Sources for Class 2 and Class 3 Circuits.



2018 BICSI Fall Conference & Exhibition



# Article 725 Defined

- **Article 725.121 Power Sources for Class 2 and Class 3 Circuits.**

(4) Listed audio/video information technology (computer), communications, and industrial equipment limited-power circuits.

Informational Note: One way to determine applicable requirements for listing of information technology (computer) equipment is to refer to UL 60950-1-2011, *Standard for Safety of Information Technology Equipment*. Another way to determine applicable requirements for listing of audio/video, information and communication technology equipment is to refer to UL 62368-1-2014, Safety of audio/video, information and communication technology equipment. Typically such circuits are used to interconnect ~~information technology equipment~~ data circuits for the purpose of exchanging information data. One way to determine applicable requirements for listing of industrial equipment is to refer to UL 61010-2-201, Safety requirements for electrical equipment for measurement, control, and laboratory use –Part 2-201: Particular requirements for control equipment, and/or UL 61800-5-1, Adjustable speed electrical power drive systems – Part 5-1: Safety requirements –Electrical, thermal and energy.



# Article 725 Defined

- The power supply type and the UL listing defines the cabling requirements for our LAN data circuits.
- Do not confuse a NEC 725 Class 2 circuit with an IEEE 802.3af Type 2 circuit. They are not the same although they both have to do with power and network cabling.
- IEEE 802.3af defines the power levels for Power over Ethernet.



2018 BICSI Fall Conference & Exhibition



**Bicsi**

# Article 725 Defined

- Article 725 segmented into 4 parts
  - I. General
  - II. Class 1 Circuits
  - III. Class 2 and Class 3 Circuits
  - IV. Listing Requirements
- Note: Article 725 does not directly address cables coming in from a utility.



# Article 725 Defined

- From the NEC® Handbook (Article 725. 1 Scope)

Article 725 includes such systems as burglar alarm circuits (see Exhibit 725.1), access control circuits, sound circuits, nurse call circuits, intercom circuits, some computer network systems. some control circuits for lighting dimmer systems, and some low-voltage control circuits that originate from listed appliances or from listed computer equipment. Article 760 covers fire alarm circuits and systems. Article 800 covers communication circuits. Article 830 covers network-powered broadband communications circuits.



2018 BICSI Fall Conference & Exhibition



**Bicsi**

# Article 725 Defined

- **From the NEC® Handbook (Article 725. 1 Scope)**

The installation requirements for the low-voltage wiring of information technology equipment (electronic data processing and computer equipment) located within the confines of a room that is constructed according to the requirements of NFPA 75, Standard for the Protection of Information Technology Equipment, are not covered by Article 725. Low-voltage wiring within these specially constructed room is covered by Article 645.

In addition, if listed computer equipment is interconnected and all the interconnected equipment is in close proximity, the wiring considered and integral part of the equipment and therefore not subject to the requirements of Article 725. If the wiring leaves the group of equipment to connect to other devices in the same room or elsewhere in the building, the wiring is considered “wiring within buildings” and is subject to the requirements of Article 725.





# Article 725 Defined: UL 60950-1

## Information Technology Equipment - Safety - Part 1: General Requirements

### UL 60950-1

#### 1.1 Scope

##### 1.1.1 Equipment covered by this standard

This standard is applicable to mains-powered or battery-powered information technology equipment, including electrical business equipment and associated equipment, with a RATED VOLTAGE not exceeding 600 V and designed to be installed in accordance with the Canadian Electrical Code, Part I, CSA C22.1; CSA C22.2 No. 0; the National Electrical Code, NFPA 70; and the National Electrical Safety Code, IEEE C2. The standard is also applicable to equipment, unless otherwise identified by a marking or instructions, designed to be installed in accordance with Article 645 of the National Electrical Code, NFPA 70, and the Standard for the Protection of Electronic Computer Data-Processing Equipment, NFPA 75. See annex A for examples of and references to regulatory requirements that may apply to this equipment. This standard is also applicable to such information technology equipment:

- designed for use as telecommunication terminal equipment and TELECOMMUNICATION NETWORK infrastructure equipment, regardless of the source of power;
- designed and intended to be connected directly to, or used as infrastructure equipment in, a CABLE DISTRIBUTION SYSTEM, regardless of the source of power;
- designed to use the AC MAINS SUPPLY as a communication transmission medium (see note 4 of clause 6 and note 3 of clause 7).



2018 BICSI Fall Conference & Exhibition



**Bicsi**



# Article 725 Defined: UL 60950-1

Generic product type	Specific example of generic type
banking equipment	monetary processing machines including automated teller (cash dispensing) machines (ATM)
data and text processing machines and associated equipment	data preparation equipment, data processing equipment, data storage equipment, personal computers, plotters, printers, scanners, text processing equipment, visual display units
data network equipment	<u>bridges, data circuit terminating equipment, data terminal equipment, routers</u>
electrical and electronic retail equipment	cash registers, point of sale terminals including associated electronic scales
telecommunication network infrastructure equipment	billing equipment, multiplexers, network powering equipment, network terminating equipment, radio basestations, repeaters, transmission equipment, <u>telecommunication switching equipment</u>
telecommunication terminal equipment	facsimile equipment, <u>key telephone systems, modems, PABX's, pagers,</u> telephone answering machines, telephone sets (wired and wireless)



# Article 725 Defined: UL 62368-1-2014



IEC 62368-1

Edition 2.0 2014-02

**INTERNATIONAL  
STANDARD**

**NORME  
INTERNATIONALE**



Audio/video, information and communication technology equipment –  
Part 1: Safety requirements

- Objective

- “This Part of IEC 62368 is a product safety standard that classifies energy sources, prescribes safeguards against those energy sources, and provides guidance on the application of, and requirements for, those safeguards.”



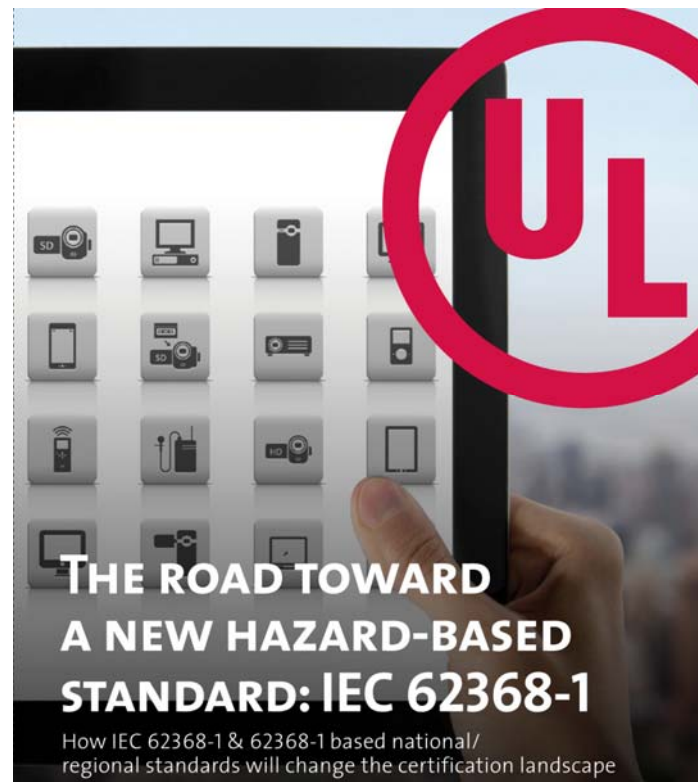
2018 BICSI Fall Conference & Exhibition



**Bicsi**

# Article 725 Defined: UL 62368-1-2014

- UL Brochure



2018 BICSI Fall Conference & Exhibition



*Bicsi*

# Article 725 Defined

- Para. 725.121 (A) Informational Note No. 2 refers you to Tables 11(A) and 11(B) in Ch. 9 for Class 2 & 3 power supply requirements.
- The text prior to the tables states: “Exception: Limited power circuits used by listed information technology equipment.”
- Most of the time network equipment will be marked with a Class 2 power supply or will be UL listed under UL 60950-1 and new product may be marked as compliant to IEC 62368-1.



# Article 725 Defined

Item	Specification
<b>Regulatory compliance</b>	<ul style="list-style-type: none"><li>• EMC compliance</li><li>• FCC Part 15 (CFR 47) (USA) Class A</li><li>• ICES-003 (Canada) Class A</li><li>• EN55022 (Europe) Class A</li><li>• CISPR22 (International) Class A</li><li>• AS/NZS CISPR22 (Australia and New Zealand) Class A</li><li>• VCCI (Japan) Class A</li><li>• KN22 (Korea) Class A</li><li>• CNS13438 (Taiwan) Class A</li><li>• CISPR24</li><li>• EN55024</li><li>• EN50082-1</li><li>• EN61000-3-2</li><li>• EN61000-3-3</li><li>• EN61000-6-1</li><li>• EN300 386</li><li>• EN61000-4-5</li></ul>
<b>Safety</b>	<ul style="list-style-type: none"><li>• UL/CSA/IEC/EN 60950-1</li><li>• AS/NZS 60950</li></ul>

- Example of UL listing: Text from Cisco's product data sheet for their Nexus 7700 Chassis.

Cisco Product Data Sheet – Nexus 7700 Chassis



# Articles 725 and 800 Similarities for Wiring Methods

- Remember:
  - For Telephone; Chapter 8 is stand alone unless it specifically references another section of the Code.
  - For Data; Apply Chapters 1, 2, 3 & 4 unless excluded or limited by Article 725.

**Article 725.3 Other Articles.** Circuits and equipment shall comply with the articles or sections listed in 725.3(A) through (N). Only those sections of Article 300 referenced in this article shall apply to Class 1, Class 2, and Class 3 circuits.



2018 BICSI Fall Conference & Exhibition



**Bicsi**

# Articles 725 and 800 Similarities for Wiring Methods

- Article 725.3 Other Articles

**(A) Number and Size of Conductors in Raceway.** Section 300.17.

**(B) Spread of Fire or Products of Combustion.** Installation of Class 1, Class 2, and Class 3 circuits shall comply with 300.21.

**(C) Ducts, Plenums, and Other Air-Handling Spaces.**

Class 1, Class 2, and Class 3 circuits installed in ducts, plenums, or other space used for environmental air shall comply with 300.22.

*Exception: No 1 and No. 2 added. Brought forth from 300.22.*

**(D) Hazardous (Classified) Locations.** Articles 500 through 516 and Article 517, Part IV, where installed in hazardous (classified) locations.





# Articles 725 and 800 Similarities for Wiring Methods

- Article 725.3 Other Articles

**(E) Cable Trays.** Article 392, where installed in cable tray.

**(F) Motor Control Circuits.** Article 430, Part VI, where tapped from the load side of the motor branch-circuit protective device(s) as specified in 430.72(A).

**(G) Instrumentation Tray Cable.** See Article 727.

**(H) Raceways Exposed to Different Temperatures.** Installations shall comply with 300.7(A).

**(I) Vertical Support for Fire-Rated Cables and Conductors.**

Vertical installations of circuit integrity (CI) cables and conductors installed in a raceway or conductors and cables of electrical circuit protective systems shall be installed in accordance with 300.19.



# Articles 725 and 800 Similarities for Wiring Methods

- Article 725.3 Other Articles

**(J) Bushing.** A bushing shall be installed where cables emerge from raceway used for mechanical support or protection in accordance with 300.15(C).

**(K) Installation of Conductors with Other Systems.** Installations shall comply with 300.8

**(L) Corrosive, Damp, Wet Locations.** Class 2 and Class 3 cables installed in corrosive, damp, or wet locations shall comply with the applicable requirements in 110.11, 300.5(B), 300.6, 300.9 and 310(G).

- Paragraphs K & L were added in 2014



# Articles 725 and 800 Similarities for Wiring Methods

- Article 725.3 Other Articles

## **(M) Cable Routing Assemblies**

Class 2 & 3 cables permitted in cable routing assemblies according to table 800.154C, 800.182, 800.110C and 800.113

## **(N) Communication Raceways**

Class 2 & 3 cables permitted in plenum, riser and general purpose communications raceways according to table 800.154C, 800.182, 800.110C and 800.113, and 362.24 and 362.56 where applicable to Electrical Nonmetallic Tubing (ENT) apply.

- Paragraphs M & N were added in 2017



# Articles 725 and 800 Similarities for Wiring Methods

- Chapter 8 lists all of Part IV for grounding methods and has several references back to Article 250.
- Article 725 has no specific references back to Article 250 and takes no exceptions to Chapter 2 as was done for parts of Chapter 3
- Even though Articles 725 and 800 have a different approach to excluding or including Chapters 1 through 4, the sections that apply to each are almost identical.



2018 BICSI Fall Conference & Exhibition



**Bicsi**

# Classification of Cable

Cables are required to be “listed”. This is a designation marked on the cable indicating its construction and intended use per the NEC®.

Listed Cable Required in Article 725.135(A) and 800.113 (A)

## **725.135 Installation of Class 2, Class 3 and PLTC Cables**

**(A) Listing.** Class 2, Class 3, and PLTC cables installed in buildings shall be listed.

## **800.113 (A) Installation of Communications Wires, Cables and Raceways, and Cable Routing Assemblies.**

**(A) Listing.** Communications wires, communications cables, communications raceways, and cable routing assemblies installed in buildings shall be listed.



# Classification of Cable

Cable Type	Article 725	Article 800	Substitution
Plenum	CL2P or CL3P	CMP	CMP for CL2P or CL3P
Riser	CL2R or CL3R	CMR	CMR for CL2R or CL3R
General Purpose	CL2 or CL3	CM	CM for CL2 or CL3
Limited Use	CL2X or CL3X	CMX	CMX for CL2X or CL3X

- Cable shown on the top have a higher fire resistivity than those below. A cable with a higher rating (plenum) can be substituted for a lower rating (riser or general purpose).
- A CM Cable can be substituted for a CL Cable.
- A CL Cable cannot be substituted for a CM Cable



# Classification of Cable

- Article 800 doesn't allow for CL2 to be substituted for CM. Therefore we predominantly see cables marked only with CM.
- Article 800.48 Unlisted Cables Entering a building.
  - e.g. PE39 and PE89 listed by REU but not the NEC.
  - Unlisted cables discussed more in Part 2 of this seminar



2018 BICSI Fall Conference & Exhibition



**Bicsi**



# Classification of Cable – LP Suffix

- New Listing for Limited Power Cables, 725.179 (I)

**(I) Limited Power (LP) Cables.** Limited power (LP) cables shall be listed as suitable for carrying power and data circuits up to a specified current limit for each conductor without exceeding the temperature rating of the cable where the cable is installed in cable bundles in free air or installed within a raceway, cable tray, or cable routing assembly. The cables shall be marked with the suffix “-LP” with the ampere limit located immediately following the suffix LP, where the current limit is in amperes per conductor.

Informational Note: The ampere limit located immediately following the suffix LP is the ampacity of each conductor in a cable. For example, 1 ampere Class 2 limited-power cables would be marked CL2-LP (1.0A), CL2R-LP (1.0A), or CL2-LP (1.0A).



# Classification of Cable – LP Suffix

- Article 800 has no LP suffix defined.
- Code allows for CL3P to be substituted for a CMP
  - CL3P-LP (0.5A) = CMP-LP (0.5A)
- 725.144 Transmission of Power and Data

**725.144 Transmission of Power and Data.** The requirements of 725.144(A) and (B) shall apply to Class 2 and Class 3 circuits that transmit power and data to a powered device. The requirements of Parts I and III of Article 725 and 300.11 shall apply to Class 2 and Class 3 circuits that transmit power and data. The conductors that carry power for the data circuits shall be copper. The current in the power circuit shall not exceed the current limitation of the connectors.

300.11 Securing and Supporting



2018 BICSI Fall Conference & Exhibition



**Bicsi**

# Classification of Cable – LP Suffix

- 725.144

**(A) Use of Class 2 or Class 3 Cables to Transmit Power and Data.** Where Types CL3P, CL2P, CL3R, CL2R, CL3, or CL2 transmit power and data, the following shall apply, as applicable:

(1) The ampacity ratings in Table 725.144 shall apply at an ambient temperature of 30°C (86°F).

(2) For ambient temperatures above 30°C (86°F), the correction factors of 310.15(B)(2) shall apply.

Informational Note: One example of the use of Class 2 cables is a network of closed circuit TV cameras using 24 AWG, 60°C rated, Type CL2R, Category 5e local area network (LAN) cables.



# Classification of Cable – LP Suffix

**Table 725.144 Ampacities of Each Conductor in Amperes in 4-Pair Class 2 or Class 3 Data Cables Based on Copper Conductors at an Ambient Temperature of 30°C (86°F) with All Conductors in All Cables Carrying Current, 60°C (140°F), 75°C (167°F), and 90°C (194°F) Rated Cables**

AWG	Number of 4-Pair Cables in a Bundle																				
	1			2-7			8-19			20-37			38-61			62-91			92-192		
	Temperature Rating			Temperature Rating			Temperature Rating			Temperature Rating			Temperature Rating			Temperature Rating					
	60°C	75°C	90°C	60°C	75°C	90°C	60°C	75°C	90°C	60°C	75°C	90°C	60°C	75°C	90°C	60°C	75°C	90°C	60°C	75°C	90°C
26	1	1	1	1	1	1	0.7	0.8	1	0.5	0.6	0.7	0.4	0.5	0.6	0.4	0.5	0.6	NA	NA	NA
24	2	2	2	1	1.4	1.6	0.8	1	1.1	0.6	0.7	0.9	0.5	0.6	0.7	0.4	0.5	0.6	0.3	0.4	0.5
23	2.5	2.5	2.5	1.2	1.5	1.7	0.8	1.1	1.2	0.6	0.8	0.9	0.5	0.7	0.8	0.5	0.7	0.8	0.4	0.5	0.6
22	3	3	3	1.4	1.8	2.1	1	1.2	1.4	0.7	0.9	1.1	0.6	0.8	0.9	0.6	0.8	0.9	0.5	0.6	0.7

Note 1: For bundle sizes over 192 cables, or for conductor sizes smaller than 26 AWG, ampacities shall be permitted to be determined by qualified personnel under engineering supervision.

Note 2: Where only half of the conductors in each cable are carrying current, the values in the table shall be permitted to be increased by a factor of 1.4.

Table from NEC® 2017



2018 BICSI Fall Conference & Exhibition



# Classification of Cable – LP Suffix

Table 725.144 Ampacities of Each Conductor in Amperes in 4-Pair Class 2 or Class 3 Data Cables Based on Copper Conductors at an Ambient Temperature of 30°C (86°F) with All Conductors in All Cables Carrying Current, 60°C (140°F), 75°C (167°F), and 90°C (194°F) Rated Cables

AWG	Number of 4-Pair Cables in a Bundle																				
	1			2-7			8-19			20-37			38-61			62-91			92-192		
	Temperature Rating			Temperature Rating			Temperature Rating			Temperature Rating			Temperature Rating			Temperature Rating					
	60°C	75°C	90°C	60°C	75°C	90°C	60°C	75°C	90°C	60°C	75°C	90°C	60°C	75°C	90°C	60°C	75°C	90°C	60°C	75°C	90°C
26	1	1	1	1	1	1	0.7	0.8	1	0.5	0.6	0.7	0.4	0.5	0.6	0.4	0.5	0.6	0.4	0.5	0.6
24	2	2	2	1	1.4	1.6	0.8	1	1.1	0.6	0.7	0.9	0.5	0.6	0.7	0.4	0.5	0.6	0.3	0.4	0.5
23	2.5	2.5	2.5	1.2	1.5	1.7	0.8	1.1	1.2	0.6	0.8	0.9	0.5	0.7	0.8	0.5	0.7	0.8	0.4	0.5	0.6
22	3	3	3	1.4	1.7	2.1	1	1.2	1.4	0.7	0.9	1.1	0.6	0.8	0.9	0.6	0.8	0.9	0.5	0.6	0.7

*Increase Current* (blue arrow pointing left from 22 AWG to 26 AWG)

*Decrease Current* (red arrow pointing right from 22 AWG to 26 AWG)

Note 1: For bundles of 3 or more cables, ampacities shall be permitted to be determined by qualified personnel under direct supervision.

Note 2: Where only half of the conductors in each cable are carrying current, the values in the table shall be permitted to be increased by a factor of 1.4.

Heat = Power,  $V=IR$ ,  $P=VI$ ,  $P=IRI$  or  $P=I^2R$ ,  
 @20 Ohms per loop,  $P=(3)^2 \times 20=180W$ , 4pr:  $4 \times 180W = 720W$

Table from NEC® 2017

# Classification of Cable – LP Suffix

- 725.144

**(B) Use of Class 2-LP or Class 3-LP Cables to Transmit Power and Data.** Types CL3P-LP, CL2P-LP, CL3R-LP, CL2R-LP, CL3-LP, or CL2-LP shall be permitted to supply power to equipment at a current level up to the marked ampere limit located immediately following the suffix LP and shall be permitted to transmit data to the equipment. The Class 2-LP and Class 3-LP cables shall comply with the following, as applicable:

- (1) Cables with the suffix “-LP” shall be permitted to be installed in bundles, raceways, cable trays, communications raceways, and cable routing assemblies.
- (2) Cables with the suffix “-LP” and a marked ampere level shall follow the substitution hierarchy of Table 725.154(A) and Figure 725.154(A) for the cable type without the suffix “LP” and without the marked ampere level.
- (3) System design shall be permitted by qualified persons under engineering supervision.





# Classification of Cable – LP Suffix

Table 725.144 Ampacities of Each Conductor in Amperes in 4-Pair Class 2 or Class 3 Data Cables Based on Copper Conductors at an Ambient Temperature of 30°C (86°F) with All Conductors in All Cables (194°F) Rated Cables

AWG	Number of 4-Pair									
	1			2-7			8-19			Temper
	Temperature Rating	Temperature Rating	Temperature Rating	Temperature Rating	Temperature Rating	Temperature Rating	Temperature Rating	Temperature Rating	Temperature Rating	
60°C	75°C	90°C	60°C	75°C	90°C	60°C	75°C	90°C	60°C	
26	1	1	1	1	1	1	0.7	0.8	1	0.5
24	2	2	2	1	1.4	1.6	0.8	1	1.1	0.6
23	2.5	2.5	2.5	1.2	1.5	1.7	0.8	1.1	1.2	0.6
22	3	3	3	1.4	1.8	2.1	1	1.2	1.4	0.7

**Informational Note 2:** An example of a limited power (LP) cable is a cable marked Type CL2-LP(0.5A), 23 AWG.

A Type CL2-LP(0.5), 23 AWG could be used in any location where a Type CL2 could be used; however, the LP cable would be suitable for carrying up to 0.5 A per conductor, regardless of the number of cables in a bundle. (or) If used in a 7-cable bundle, the same cable could carry up to 1.2 amperes per conductor.

Note 1: For bundle sizes over 192 cables, or for conductor sizes smaller than personnel under engineering supervision.

Note 2: Where only half of the conductors in each cable are carrying current 1.4.

Table from NEC® 2017

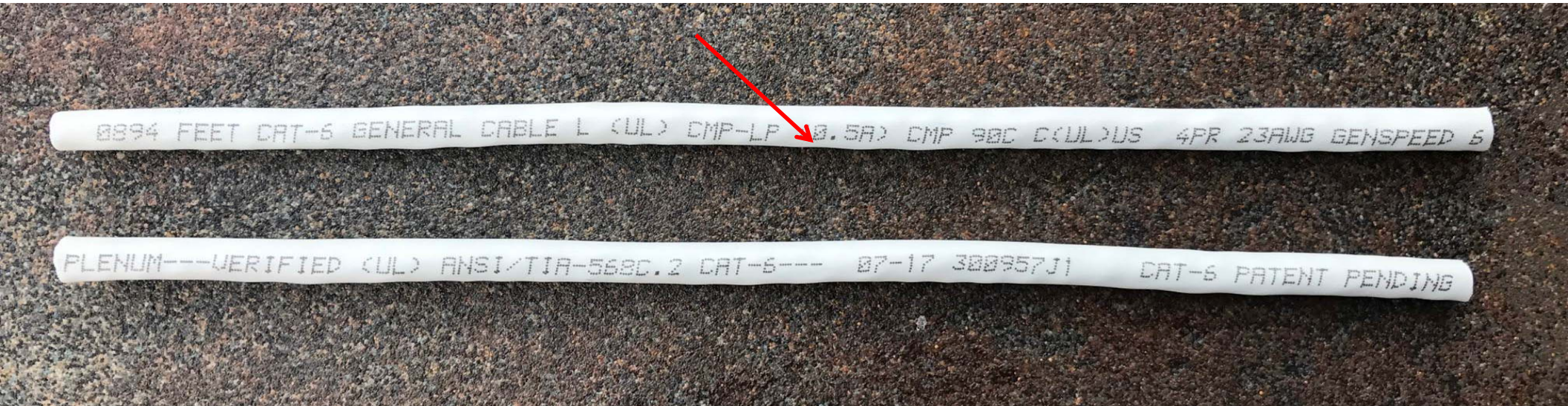


2018 BICSI Fall Conference & Exhibition





# Classification of Cable



Question for the panel question: If a Class 2 or Class 3 cable and communication cable are routed in the same cable tray, Can you consider all the cables communication cables? Yes or No?



2018 BICSI Fall Conference & Exhibition



# Classification of Cable

- 725.139 (D) Class 2 and Class 3 Circuits with Communication Circuits.

**(1) Classified as Communications Circuits.** Class 2 and Class 3 circuit conductors shall be permitted in the same cable with communications circuits, in which case the Class 2 and Class 3 circuits shall be classified as communications circuits and shall be installed in accordance with the requirements of Article 800. The cables shall be listed as communications cables.



# Classification of Cable

- 725.139 (D) Class 2 and Class 3 Circuits with Communication Circuits.

**(1) Classified as Communications Circuits.** Class 2 and Class 3 circuit conductors shall be permitted in the same cable with communications circuits, in which case the Class 2 and Class 3 circuits shall be classified as communications circuits and shall be installed in accordance with the requirements of Article 800. The cables shall be listed as communications cables.

- 800.133.(A)(1)(b): Similar language as 725.139 (D) above
- Class 2 cables in the same cable tray or raceway with communications cables are not all communications cables.

Answer to the panel question: If a Class 2 or Class 3 cable and communication cable are routed in the same cable tray, can you consider all the cables communication cables? False



# Classification of Cable

- Other cable classification we may see:
  - For Fiber Optics:
    - Non Conductive: OFN, OFNG, OFNR, OFNP
    - Conductive: OFC, OFCG, OFCR, OFCP
  - For Cable TV (CATV) Article 820.179: CATVP, CATVR, CATV, CATVX.
    - 820.154(E) allows substitutions by CM, BM and BL cables per table 820.154(b) (There is no BMP cable.)
- 725.179 (K) Class 2 and 3 cables will not have voltage markings.





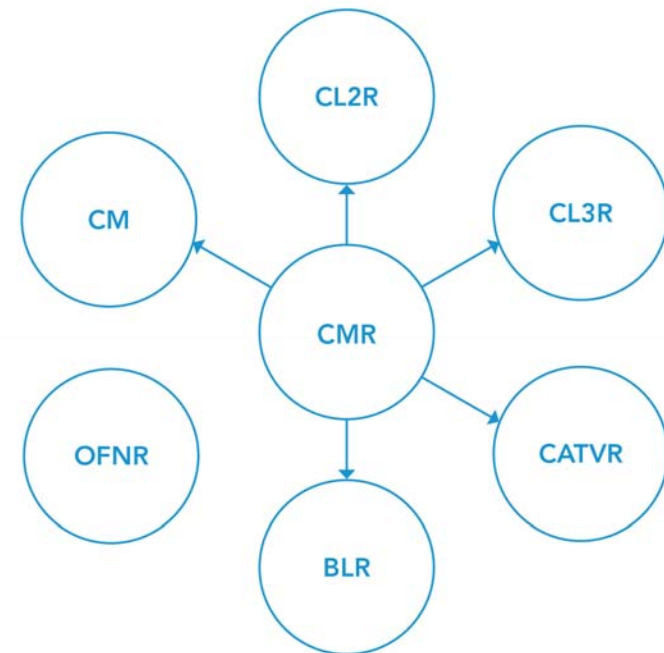
# Classification of Cable

- Other cable classification we may see:
  - For Network Powered Broadband Communication Systems, Article 830
    - Different cable classifications for low powered and medium powered networks.
    - Network-Powered low powered: BLX, BL, BLR & BLP. BLU is listed but specifically identified by the code for underground use. Article 830.179 (A) (2)
    - Network-Powered medium powered: BM & BMR. BMU & BLU are listed for underground use. Article 830.179 (A) (3) & 830.179 (B) (5).



# Classification of Cable

- Cable Substitutions
  - In General, CMR listed cables can be substituted for many other cable listings



# Wet Rated Cable

- Wet Rated Cable

**725.1 Scope.** This article covers remote-control, signaling, and power-limited circuits that are not an integral part of a device or appliance.

Informational Note: The circuits described herein are characterized by usage and electrical power limitations that differentiate them from electric light and power circuits; therefore, alternative requirements to those of Chapters 1 through 4 are given with regard to minimum wire sizes, ampacity adjustment and correction factors, overcurrent protection, insulation requirements, and wiring methods and materials.



2018 BICSI Fall Conference & Exhibition



**Bicsi**



# Wet Rated Cable

- Article 725 was revised for the 2014 NEC
- 725.3 (L)

**(L) Corrosive, Damp, or Wet Locations.** Class 2 and Class 3 cables installed in corrosive, damp or wet locations shall comply with the applicable requirements in 110.11, 300.5(B), 300.6, 300.9 and 310.10(G)

- 6 different sections apply. Some are simple paragraphs and others are multiple paragraphs.



# Wet Rated Cable

- 725.3 (L) Corrosive, Damp, or Wet Locations.
  - 110.11: Deteriorating Agents
  - 300.5(B) Underground Installations. Wet Locations
    - 310.10(C) Conductors for General Wiring Installation for Wet Locations
  - 300.6 Protection Against Corrosion and Deterioration.
  - 300.9 Raceways in Wet Locations Abovegrade
    - 310.10(C) Conductors for General Wiring Installation for Wet Locations
  - 310.10(G) Corrosive Conditions



# Wet Rated Cable

- Wet rating called out in 300.9 and 310.10(C)

**300.9 Raceways in Wet Locations Abovegrade.** Where raceways are installed in wet locations abovegrade, the interior of these raceways shall be considered to be a wet location. Insulated conductors and cables installed in raceways in wet locations abovegrade shall comply with 310.10(C).



# Wet Rated Cable

- Wet rating called out in 300.9 and 310.10(C)

**310.10 (C) Wet Locations.** Insulated conductors and cables used in wet locations shall comply with one of the following:

- (1) Be moisture-impervious metal-sheathed
- (2) Be types MTW, RHW, RHW-2, TW, THW, THW-2, THHW, THWN, THWN-2, XHHW, XHHW-2, ZW
- (3) Be of a type listed for use in wet locations



# Wet Rated Cable

- Article 300.6 (D) Indoor Wet Locations helps to define these areas.
- For Article 800

## **800.47 Underground Communications Wires and Cables**

**Entering Buildings.** Underground communications wires and cables entering buildings shall comply with 800.47(A) and (B). The requirements of 310.10(C) shall not apply to communications wires and cables.

- Note: This is for Underground. No mention for methods within buildings.
- For Article 770 – No mention of wet rated cable.



# Abandoned Cable

- It needs to be removed.
- **800.2 Definitions.**

**Abandoned Communications Cable.** Installed communications cable that is not terminated at both ends at a connector or other equipment and not identified for future use with a tag.

- **725.2 Definitions.**

**Abandoned Class 2, Class 3, and PLTC Cable.** Installed Class 2, Class 3, and PLTC cable that is not terminated at equipment and not identified for future use with a tag.

- **For Class 2 & 3 cables, equipment can be a connector or it can be on a terminal strip such as on non-network equipment.**



# Abandoned Cable

## 725.2 Definitions.

**Abandoned Optical Fiber Cable.** Installed optical fiber cable that is not terminated at equipment other than a connector and not identified for future use with a tag.

**800.25 Abandoned Cables.** The accessible portion of abandoned communications cables shall be removed. Where cables are identified for future use with a tag, the tag shall be of sufficient durability to withstand the environment involved.

**725.25 Abandoned Cables.** The accessible portion of abandoned Class 2, Class 3, and PLTC cables shall be removed. Where cables are identified for future use with a tag, the tag shall be of sufficient durability to withstand the environment involved.

**770.25 Abandoned Cables.** The accessible portion of abandoned optical fiber cables shall be removed. Where cables are identified for future use with a tag, the tag shall be of sufficient durability to withstand the environment involved.







**Questions?**



2018 BICSI Fall Conference & Exhibition



**Bicsi**



Tim Kuhlman  
tim.kuhlman@teecom.com



2018 BICSI Fall Conference & Exhibition



**Bicsi**

# Interpreting the NEC for Structured Cabling Afternoon Session

By Tim Kuhlman, PE RCDD CDT  
TEECOM

Submit Questions at:

<http://teecom-1.hs-sites.com/bicsi2018>



2018 BICSI Fall Conference & Exhibition



**Bicsi**

# Schedule

- 1:30 p.m. to 2:45 p.m.
- 2:45pm – **15 minute break**
- 3 p.m. to 4:15 p.m.
- 4:15 p.m. - Q&A and wrap up
- 4:30 p.m. – **The End**



# Plenum Spaces



- **Referenced in Table 725.154 Plenums, 770.113 & 800.113**

**300.22 Wiring in Ducts Not Used for Air Handling, Fabricated Ducts for Environmental Air, and Other Spaces for Environmental Air (Plenums).** The provisions of this section shall apply to the installation and uses of electrical wiring and equipment in ducts used for dust, loose stock, or vapor removal; ducts specifically fabricated for environmental air; and other spaces used for environmental air (plenums).

Question for the panel question: The Code has a special provision where non-Plenum cable is allowed to be exposed in a plenum area? True or False?  
(Answer in 33 slides.)





# Plenum Spaces

## 4 Categories of Ducts

- **300.22(A) Ducts for Dust, Loose Stock, or Vapor Removal**
  - No wiring systems of any type.
- **300.22(B) Ducts Specifically Fabricated for Environmental Air**
  - New Exception add in 2017 for equipment in the duct and limited to 4 ft in length.
- **300.22(C) Other Space Used for Environmental Air (Plenums).**
  - Space not specifically fabricated for air-handling but is used for air handling such as the space above a drop ceiling used for the return air path.
- **300.22(D) Information Technology Equipment**
  - Electrical wiring in air-handling areas beneath raised floors for information technology equipment shall be permitted in accordance with Article 645.



# Plenum Spaces

- **Table 725.154A Applications of Listed Class 2, Class 3 and PLTC Cables in Buildings**

Table 725.154 Applications of Listed Class 2, Class 3, CMUC, and PLTC Cables in Buildings

Applications		Cable Type					
		CL2P & CL3P	CL2R & CL3R	CL2 & CL3	CL2X & CL3X	CMUC	PLTC
In fabricated ducts as described in 300.22(B)	In fabricated ducts	Y*	N	N	N	N	N
	In metal raceway that complies with 300.22(B)	Y*	Y*	Y*	Y*	N	Y*
In other spaces used for environmental air as described in 300.22(C)	In other spaces used for environmental air	Y*	N	N	N	N	N
	In metal raceway that complies with 300.22(C)	Y*	Y*	Y*	Y*	N	Y*
	In plenum communications raceways	Y*	N	N	N	N	N
	In plenum cable routing assemblies	Y*	N	N	N	N	N
	Supported by open metal cable trays	Y*	N	N	N	N	N
	Supported by solid bottom metal cable trays with solid metal covers	Y*	Y*	Y*	Y*	N	N

Updated for 2017. Used to be "Not Permitted"

Table from NEC® 2017





# Plenum Spaces

- **800.113 (C)**

**(C) Other Spaces Used for Environmental Air (Plenums).**

The following wires, cables, and raceways shall be permitted in other spaces used for environmental air as described in 300.22(C):

- **770.113 (C)**

**(C) Other Spaces Used for Environmental Air (Plenums).**

The following cables shall be permitted in other spaces used for environmental air as described in 300.22(C):

Plenum Cable Routing Assemblies added for 2017

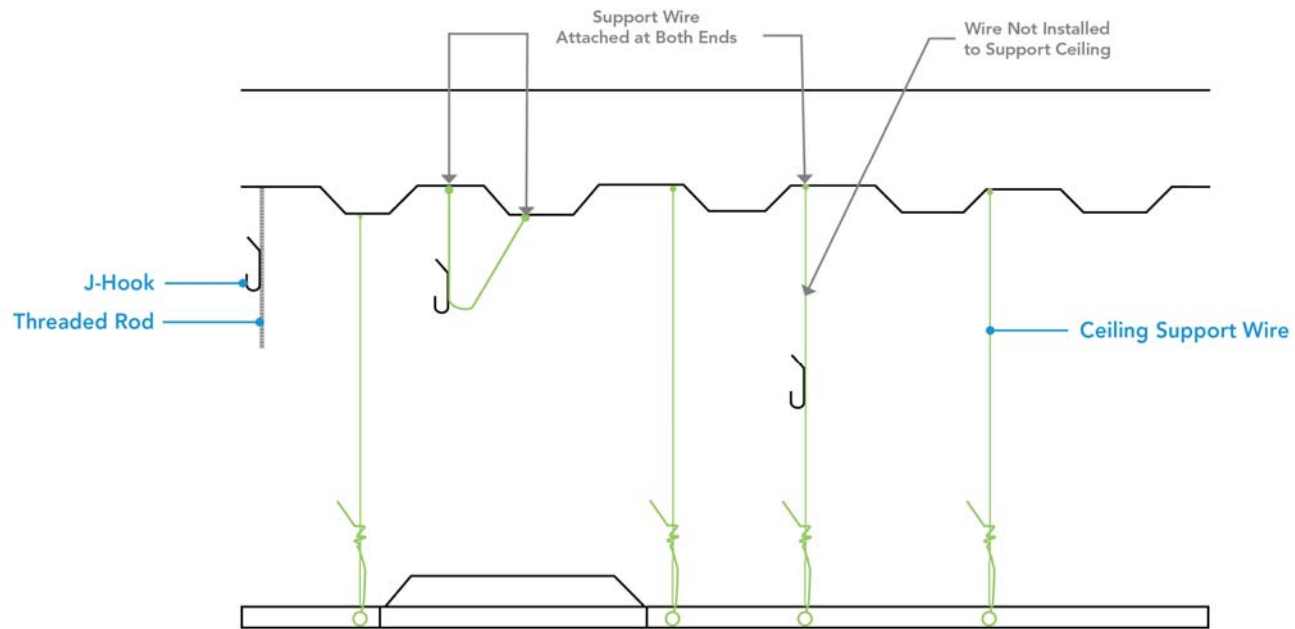


# Plenum Spaces

- Cables installed Type CMP. Types CMP, CMR, CMG, CM and CMX installed per 300.22. (which means in a metal raceway or solid metal tray with a cover.)
- Article 300.22 (C)
  - (C) **Other Spaces Used for Environmental Air (Plenums).** This section shall apply to spaces not specifically fabricated for environmental air-handling purposes but used for air-handling purposes as a plenum. This section shall not apply to habitable rooms or areas of buildings, the prime purpose of which is not air handling.
    - Informational Note No 1: The space over a hung ceiling used for environmental air-handling purposes is an example of the type of other space to which this section applies.



# Plenum Spaces



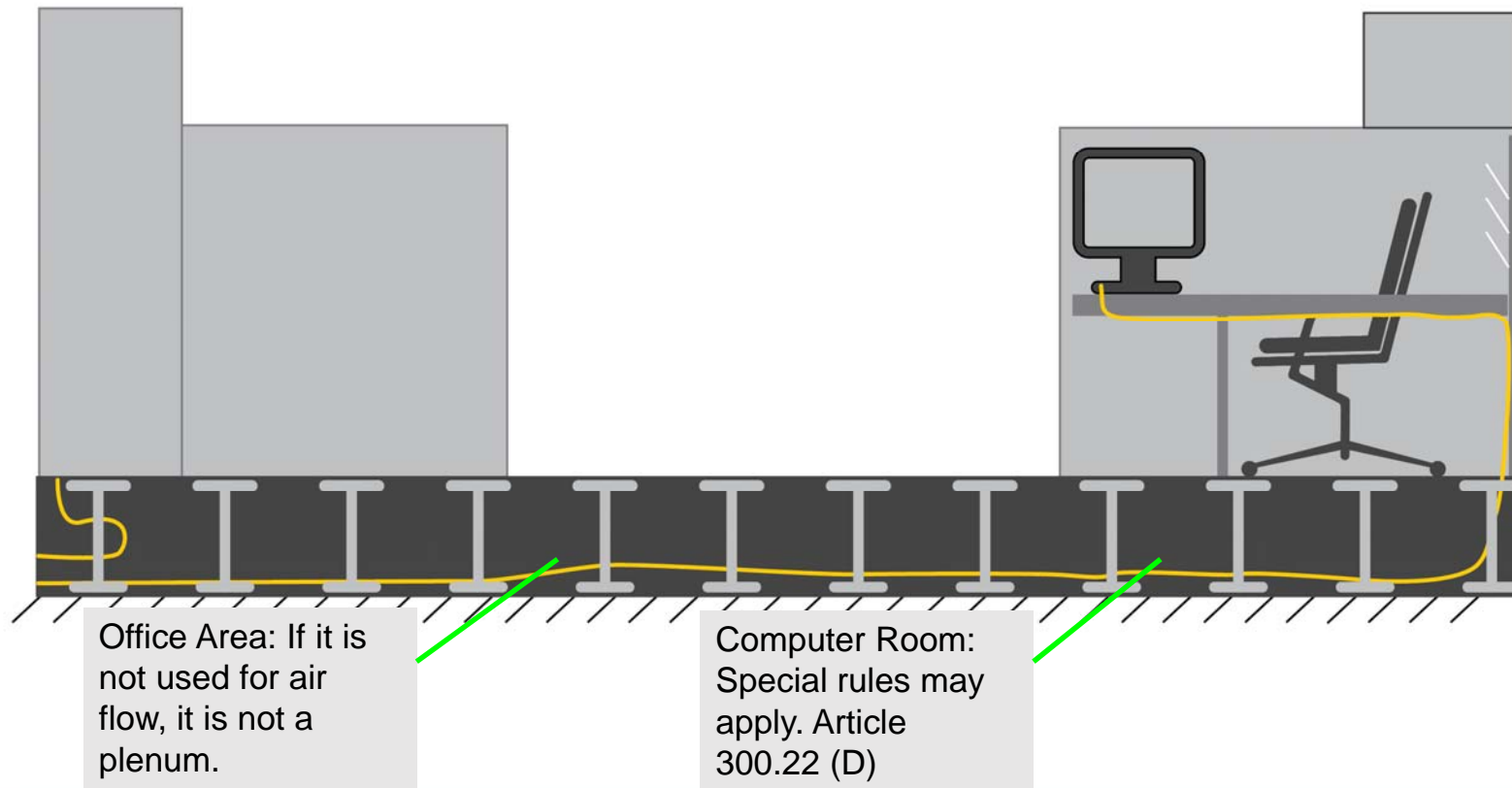
Typical T-Bar Drop Ceiling



2018 BICSI Fall Conference & Exhibition



# Plenum Spaces



# Plenum Spaces

- Cable Tray Systems addressed in **300.22 (C) (2)**

**(2) Cable Tray Systems.** The provisions in (a) or (b) shall apply to the use of metallic cable tray systems in other spaces used for environmental air (plenums), where accessible, as follows:

(a) *Metal Cable Tray Systems.* Metal cable tray systems shall be permitted to support the wiring methods in 300.22(C)(1).

(b) *Solid Side and Bottom Metal Cable Tray Systems.* Solid side and bottom metal cable tray systems with solid metal covers shall be permitted to enclose wiring methods and cables, not already covered in 300.22(C)(1), in accordance with 392.10(A) and (B).



# Plenum Spaces

- Use type CL2P or CMP Cable when routed exposed.
- Use Listed cables installed in EMT, Flexible Metal Conduit and solid bottom metal cable tray with a metal cover. A plenum rated Communications Raceway allowed.
- Install equipment listed for use having adequate fire-resistant and low-smoke-producing characteristics.



2018 BICSI Fall Conference & Exhibition



**Bicsi**

# Plenum Spaces

- 300.22 (C) Other Spaces Used for Environmental Air (Plenums)

**(1) Wiring Methods.** The wiring methods for such other space shall be limited to totally enclosed, nonventilated, insulated busway having no provisions for plug-in connections, Type MI cable without an overall nonmetallic covering, Type MC cable without an overall nonmetallic covering, Type AC cable, or other factory-assembled multiconductor control or power cable that is specifically listed for use within an air-handling space, or listed prefabricated cable assemblies of metallic manufactured wiring systems without nonmetallic sheath. Other types of cables, conductors, and raceways shall be permitted to be installed in electrical metallic tubing, flexible metallic tubing, intermediate metal conduit, rigid metal conduit without an overall nonmetallic covering, flexible metal conduit, or, where accessible, surface metal raceway or metal wireway with metal covers.

Nonmetallic cable ties and other nonmetallic cable accessories used to secure and support cables shall be listed as having low smoke and heat release properties.





# Plenum Spaces

- Whether a space is being used to transport air or not, should be verified by the architect, mechanical engineer or building owner.
- The presence of existing plenum rated cable is not a validation that it is a plenum space.
- The presence of firestopping appliances is not a validation that it is a plenum space.



# Securing and Supporting of Conductors



- 800.24 Mechanical Execution of Work refers to 300.4(D) and 300.11
- 770.24 Mechanical Execution of Work refers to 300.4(D) and 300.11
- 725.24 Mechanical Execution of Work refers to 300.4(D) and 725.144 refers to 300.11
- 725.143 Support of Conductors refers to 300.11(C)(2)
  - Special case “Where the raceway contains power supply conductors for electrically controlled equipment and is used to support Class 2 circuit conductors or cables that are solely for the purpose of connection to the equipment control circuits.”

Question to the panel: We can use 14AWG ceiling support wire for hanging J hooks to support data and phone cabling? True or False?



2018 BICSI Fall Conference & Exhibition



**Bicsi**

# Securing and Supporting of Conductors

## 300.11 Securing and Supporting

### 300.11 (A) (2)

**(2) Non-Fire-Rated Assemblies.** Wiring located within the cavity of a non-fire-rated floor-ceiling or roof-ceiling assembly shall not be secured to, or supported by, the ceiling assembly, including the ceiling support wires. An independent means of secure support shall be provided and shall be permitted to be attached to the assembly. Where independent support wires are used, they shall be distinguishable by color, tagging, or other effective means.

Answer to the panel question: We can use 14AWG ceiling support wire for hanging J hooks to support data and phone cabling? False.  
Independent Wire, Yes. Ceiling support wire, No.



2018 BICSI Fall Conference & Exhibition



**Bicsi**

# Securing and Supporting of Conductors

## 300.11 Securing and Supporting

### Support Wires vs. Ceiling Support Wires

- (A) **Secured in Place.** Raceways, cable assemblies, boxes, cabinets, and fittings shall be securely fastened in place.
- (B) **Wiring Systems Installed Above Suspended Ceilings.** Support wires that do not provide secure support shall not be permitted as the sole support. Support wires and associated fittings that provide secure support and that are installed in addition to the ceiling grid support wires shall be permitted as the sole support. Where independent support wires are used, they shall be secured at both ends. Cables and raceways shall not be supported by ceiling grids.

The Code recognizes the difference between “securing” and “supporting.”

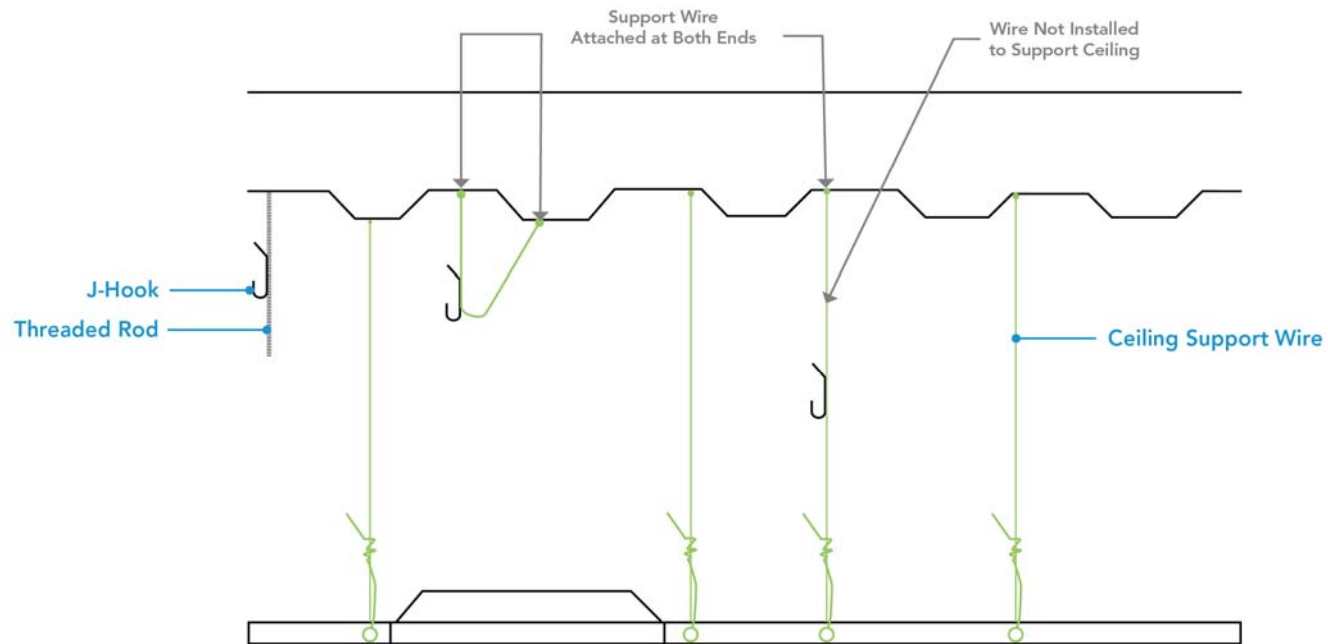


2018 BICSI Fall Conference & Exhibition



**Bicsi**

# Securing and Supporting of Conductors



Typical T-Bar Drop Ceiling



2018 BICSI Fall Conference & Exhibition



# Securing and Supporting of Conductors

- **300.11 Securing and Supporting Summary**
  - Support wires that do not provide secure support cannot be used.
  - Cannot use the ceiling support wire to support cable
  - When an independent wire is used, it has to be supported at both ends.



2018 BICSI Fall Conference & Exhibition



**Bicsi**

# Separation of Cables from other Conductors

- 725.136 Separation from Electric Light, Power, Class 1, Non-Power Limited Fire Alarm Conductors and Medium-Power Network-Powered Broadband Communications Cable

**(A) General.** Cables and conductors of Class 2 and Class 3 circuits shall not be placed in any cable, cable tray, compartment, enclosure, manhole, outlet box, device box, raceway, or similar fitting with conductors of electric light, power, Class 1, non-power-limited fire alarm circuits, and medium-power network-powered broadband communications circuits unless permitted by 725.136(B) through (I).

Question to the panel: Does the Code identify a Class 2 or 3 Circuit that cannot be routed with other types of Class 2 or 3 circuits? True or False?



2018 BICSI Fall Conference & Exhibition



**Bicsi**



# Separation of Cables from other Conductors

- (B) Separated by barriers: This is a barrier designed to provide separation.
- (C) Raceway within Enclosures: A Class 2 Circuit can be installed in a raceway to provide separation from powered circuits in an enclosure.
- (D) Associated Systems Within Enclosures: They can enter the same enclosure if they solely connect to the equipment and if:
  - (1) the circuit is routed to maintain a  $\frac{1}{4}$  inch separation
  - (2) the circuit is 150V to ground or less, the Class 2 cable is within its listed jacket and the Class 2 conductors out of the jacket are separated by a  $\frac{1}{4}$  inch from the powered circuit. Or install the Class 2 as a Class 1 circuit.



2018 BICSI Fall Conference & Exhibition



**Bicsi**

# Separation of Cables from other Conductors

- (E) Enclosures With a Single Opening: Where they are to solely to connect to the Class 2 equipment. Where they enter through a single tee, the Class 2 and powered circuit are separated by a continuous, firmly, fixed non-conductor such as flexible tubing.
- (F) Manholes: The following conditions must be met:
  - (1) The powered circuits are in metal enclosed cable or type UF cable.
  - (2) The Class 2 cable permanently separated from the powered circuits with a continuous and firmly fixed nonconductor such as flexible tubing.
  - (3) The Class 2 cables are permanently separated by the other power circuits being securely fastened to racks, insulators and approved supports.



# Separation of Cables from other Conductors

- (G) Cable Trays:
  - Separated by a solid fixed barrier compatible with the cable tray material
  - Or where the Class 2 cable is installed in type MC cable
- (H) In Hoistways: Where the Class 2 cable is installed in RMC, RNC, IMC, Liquidtight Nonmetallic Conduit, or EMT. For elevators, as permitted by 620.21.
- (I) Other Applications:
  - Class 2 cables separated by 2 inches from powered circuits unless all the Class 2 or all the powered circuits are in a raceway or metal clad sheathed, nonmetallic sheathed or type UF cable.
  - Powered circuits and Class 2 cables are permanently separated by a continuous and firmly fixed non conductor or flexible tubing in addition to the cable insulation.



# Separation of Cables from other Conductors

- 725.139 Installation of Conductors of Different Circuits in the Same Cable, Enclosure, Cable Tray, Raceway or Cable Routing Assembly.
- Allows for combining of Class 2, 3 and Communications (A) – (D)

**(F) Class 2 or Class 3 Conductors or Cables and Audio System Circuits.** Audio system circuits described in 640.9(C), and installed using Class 2 or Class 3 wiring methods in compliance with 725.133 and 725.154, shall not be permitted to be installed in the same cable, raceway, or cable routing assembly with Class 2 or Class 3 conductors or cables.

Note: Does not mention enclosure or cable tray

Answer to the panel question: Does the Code identify a Class 2 or 3 Circuit that cannot be routed with other types of Class 2 or 3 circuits? True



2018 BICSI Fall Conference & Exhibition



**Bicsi**

# Separation of Cables from other Conductors

- In Article 800 there are two sections discussion the separation of cables.

**800.47 Underground Communications Wires and Cables Entering Buildings.** Underground communications wires and cables entering buildings shall comply with 800.47(A) and (B). The requirements of 310.10(C) shall not apply to communications wires and cables.

**(A) Underground Systems with Electric Light or Power, Class 1, or Non-Powered-Limited Fire Alarm Circuit Conductors.** **Underground** communications wires and cables in a raceway, handhole enclosure, or manhole containing electric light, power, Class 1, or non-power-limited fire alarm circuit conductors shall be in a section separated from such conductors by means of brick, concrete, or tile partitions or by means of a suitable barrier.

Updated in 2017 to use more common Code language for powered circuits



2018 BICSI Fall Conference & Exhibition



**Bicsi**

# Separation of Cables from other Conductors

- 800.133 Installation of Communications Wires, Cables and Equipment.

**(A) Separation from Other Conductors.**

**(1) In Raceways, Cable Trays, Boxes, Cables, and Enclosures, and Cable Routing Assemblies.**

(a) *Other Circuits.* Communications cables shall be permitted in the same raceway, cable tray, box, enclosure or cable routing assembly with cables of any of the following:

- (1) Class 2 and Class 3 remote-control, signaling, and power-limited circuits in compliance with Parts I and III of Article 725
- (2) Parts I and III of Article 760
- (3) Nonconductive and conductive optical fiber cables in compliance with Parts I and V of Article 770

Para.  
changed for  
2017 but not  
marked



2018 BICSI Fall Conference & Exhibition



**Bicsi**

# Separation of Cables from other Conductors

(4) Community antenna television and radio distribution systems in compliance with Parts I and V of Article 820

(5) Low-power network-powered broadband communications circuits in compliance with Parts I and V of Article 830

- 800.133 Installation of Communications Wires, Cables and Equipment.
  - (A)(1)(d): Communications shall not be placed with Electric Light, Power, Class 1... in Raceways, Compartments and Boxes or similar fittings.
  - Exceptions:
    - No.1 Where separated by a permanent barrier or listed divider.
    - No. 2 Where power conductors are solely introduced for power supply to communications equipment. Power conductors shall maintain a  $\frac{1}{4}$  inch separation from communication circuit conductors.



2018 BICSI Fall Conference & Exhibition



**Bicsi**



# Separation of Cables from other Conductors

- 800.133 Installation of Communications Wires, Cables and Equipment.
  - (A)(2): Other Applications. Communication wires and cables shall be separated at least 2 inches from conductors of any electric light, power, Class 1...
  - Exceptions: Section 800.133(A)(2) shall not apply
    - Where either the power cables are in a raceway, metal sheathed, metal clad, non-metallic sheathed, type AC or type UF cables OR, all the communication circuits conductors are in raceway.
    - Where the communication wires and cables are permanently separated from power... by a continuous and firmly fixed non-conductor, such as porcelain tubes, flexible tubing in addition to the insulation on the wires.
  - TIA-569-C Table 6 provides separation criteria for cable performance.



# Separation of Cables from other Conductors

ANSI/TIA-569-C

Table 6 – Recommended separation from power wiring for balanced twisted pair cabling

Power circuit type (sinusoidal 50/60 Hz)	Number of radial power circuits	Minimum recommended separation, mm (in) <sup>1</sup>				
		E1 (EFT/B = 500V)		E2 (EFT/B = 500 V), E3 (EFT/B = 1000 V)		
		Unscreened power ca- bles	Armored or screened power ca- bles <sup>2</sup>	Unscreened power cables		Armored or screened power cables <sup>2</sup>
Unshielded cable	Shielded cable					
120/230 Vac, 20 A 1-phase	1	0 (0)	0 (0)	50 (2)	1 (0.04) <sup>3</sup>	0 (0)
	2	0 (0)	0 (0)	50 (2)	5 (0.2) <sup>3</sup>	2.5 (0.1)
	3	0 (0)	0 (0)	50 (2)	10 (0.4) <sup>3</sup>	5 (0.2)
	4	0 (0)	0 (0)	50 (2)	12 (0.5) <sup>3</sup>	8 (0.2)
	5 – 15	0 (0) <sup>3</sup>	0 (0)	50 (2)	50 (2)	25 (1)
	16 – 30	100 (4)	50 (2)	100 (4)	100 (4)	50 (2)
	31 – 60	200 (8)	100 (4)	200 (8)	200 (8)	100 (4)
	61 – 90	300 (12)	150 (6)	300 (12)	300 (12)	150 (6)
	≥ 91	600 (24)	300 (12)	600 (24)	600 (24)	300 (12)
120/230 Vac, 32 A 1-phase	1	10 (0.4) <sup>3</sup>	5 (0.2)	50 (2)	10 (0.4) <sup>3</sup>	5 (0.2)
	2	20 (0.8) <sup>3</sup>	10 (0.4)	50 (2)	20 (0.8) <sup>3</sup>	10 (0.4)
	3	30 (1) <sup>3</sup>	15 (0.6)	50 (2)	30 (1) <sup>3</sup>	15 (0.6)
	4 – 5	50 (2)	25 (1)	50 (2)	50 (2)	25 (1)
	6 – 9	100 (4)	50 (2)	100 (4)	100 (4)	50 (2)





**Questions?**



2018 BICSI Fall Conference & Exhibition



**Bicsi**

# Article 645 Information Technology Equipment

**645.1 Scope.** This article covers equipment, power-supply wiring, equipment interconnecting wiring, and grounding of information technology equipment and systems in an information technology equipment room.

Informational Note: For further information, see NFPA 75-2017, *Standard for the Protection of Information Technology Equipment*, which covers the requirements for the protection of information technology equipment and information technology equipment areas.

- What is the Code identifying as an information technology (IT) equipment and room?

Question to the panel: In general, Article 645 applies to Telecom Rooms?  
True or False?



2018 BICSI Fall Conference & Exhibition



**Bicsi**

# Article 645 Information Technology Equipment

- The NEC added in 2011 the definition for an IT equipment room. The key is to look at NFPA 75.

**Information Technology Equipment Room.** A room within the information technology equipment area that contains the information technology equipment.  
[75:3.3.9]

- From NFPA 75 – Standard for the Protection of Information Technology Equipment

**3.3.9 Information Technology Equipment Room.** A room within the information technology equipment area that contains the information technology equipment.

- This may not have been very helpful.



# Article 645 Information Technology Equipment

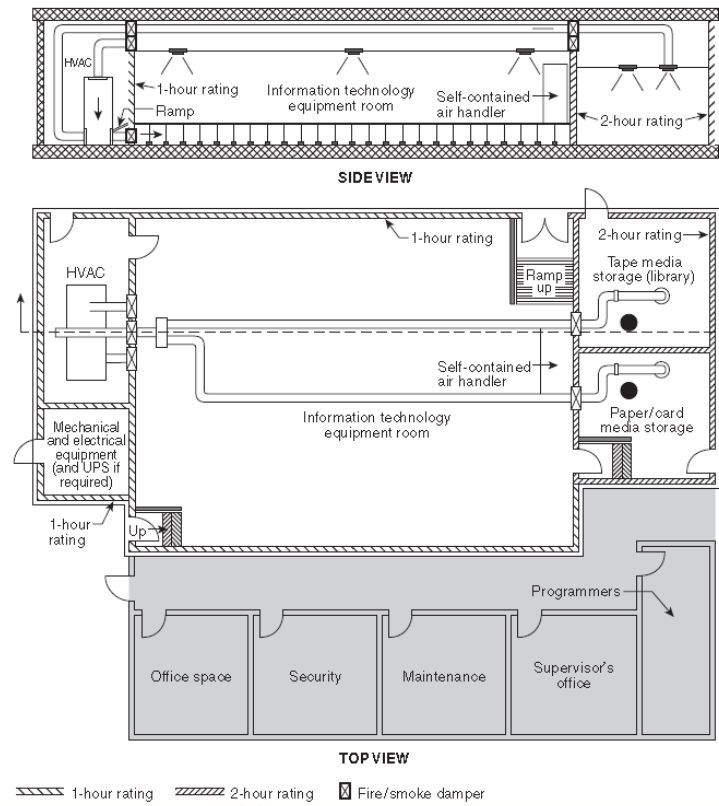
- The key is to look at NFPA 75. On Page 75-1 in the Origin Statement it says:

In editions of this standard prior to 2003, the terms “electronic computer/data processing equipment” and “electronic computer system” were used where the current terms “information technology equipment” and “information technology equipment system,” respectively, are used. Similarly, the terms “computer room” and “computer area” were replaced by “information technology equipment room” and “information technology equipment area,” respectively. While the title and some terminology were changed in the 2003 edition to more closely align this standard’s terminology with terminology being used in other standards, such as NFPA 70, *National Electrical Code*, and UL 60950, *Safety of Information Technology Equipment*, the scope of this standard and any definitions associated with those like terms remained the same.





# Article 645 Information Technology Equipment



- Diagram from NFPA-75-2013, Annex A



2018 BICSI Fall Conference & Exhibition





# Article 645 Information Technology Equipment

- Article 645 does not directly apply to Telecom Rooms or Equipment Rooms as defined by TIA-569B *Commercial Building Standard for Telecommunication Pathways and Spaces*.

## **NFPA 75, 1.3 Application.**

**1.3 Application.** The application of this standard is based on the risk considerations outlined in Chapter 4.

**1.3.1** A documented risk assessment shall be the basis for the implementation of this standard.

**1.3.2** The mere presence of the information technology equipment shall not constitute the need to invoke the requirements of this standard.



2018 BICSI Fall Conference & Exhibition



**Bicsi**

# Article 645 Information Technology Equipment

## 4.2.1 Telecommunications Risks for the Private Network.

4.2.1.1 To assess and evaluate the damage and interruption potential of the loss of information technology equipment room operations, a risk evaluation shall be conducted on the impact of the loss of data and communications.

4.2.1.2 The provisions of this standard shall apply to those areas housing telecommunications equipment that are part of a private network or where the need for protection has been determined by the risk evaluation outlined in 4.2.1.1.

- It may be applied if the risk assessment warrants it.

Answer to the panel question: In general, Article 645 applies to Telecom Rooms? False



2018 BICSI Fall Conference & Exhibition



**Bicsi**

# Article 645 Information Technology Equipment

**645.4 Special Requirements for Information Technology Equipment Room.** The alternate wiring methods to Chapters 3 and Parts I and III of Article 725 for signaling wiring and Parts I and V of Article 770 for optical fiber cabling shall be permitted where all of the following conditions are met:

1. Disconnecting Power Means (Emergency Power Off Switch)
  2. A separate and dedicated HVAC system. (or smoke fire dampers at the boundary. )
  3. All IT equipment and communications equipment installed is listed.
  4. The room is occupied and accessible only by maintenance and operational staff that support the equipment.
  5. The room is separated from other spaces by fire rated walls, floors, ceilings and openings.
  6. Only electrical equipment and wiring associate with the room is installed.
- This does not read that you have to apply these requirements. You only apply these to take advantage of the other provisions of this Article, “the alternate wiring methods”.



2018 BICSI Fall Conference & Exhibition



**Bicsi**

# Article 645 Information Technology Equipment

- 645.5 Supply Circuits and Interconnecting Cables
  - (E) Under Raised Access Floors

(2) Installation Requirements for Electrical Supply Cords, Data Cables, Interconnecting Cables, and Grounding Conductors Under a Raised Floor. The following cords, cables and conductors shall be permitted to be installed under a raised floor:

- (1) Supply cords of listed information technology equipment in accordance with 645.5(B)
- (2) Interconnecting cables enclosed in a raceway
- (3) Equipment grounding conductors
- (4) In addition to wiring installed in compliance with 725.135(C), Types CL2R, CL3R, CL2, and CL3 and substitute cables including CMP, CMR, CM, and CMG installed in accordance with 725.154(A), shall be permitted under raised floors.

645.5 (E) (2) is a new paragraph replacing table 645.5 (E) (6) in the 2014 Edition

Other spaces used for environmental air. Calling out plenum-rated cable.

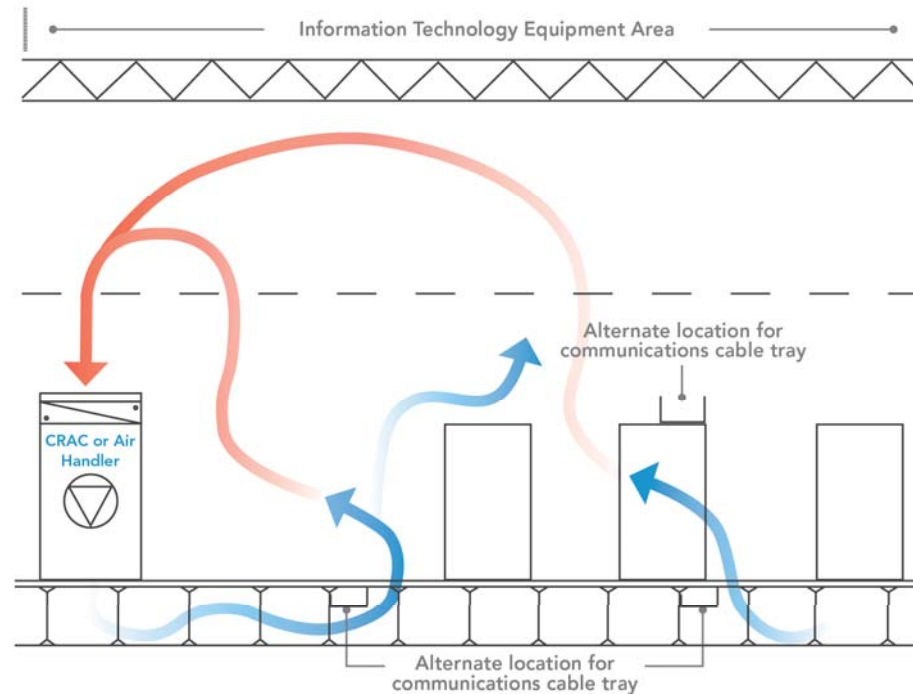


2018 BICSI Fall Conference & Exhibition



**Bicsi**

# Article 645 Information Technology Equipment



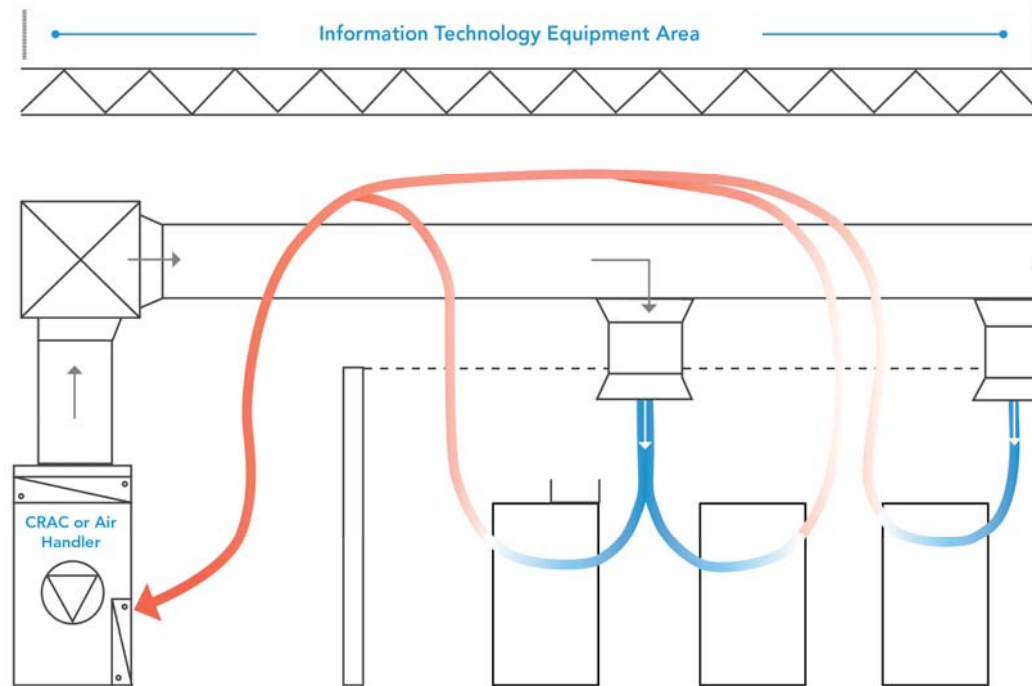
Information Technology Equipment Room - Traditional  
(Computer Room/Data Center)



2018 BICSI Fall Conference & Exhibition



# Article 645 Information Technology Equipment



Information Technology Equipment Room Without a Raised Floor.



2018 BICSI Fall Conference & Exhibition



# Article 645 Information Technology Equipment



Answer to the panel question: The Code has a special provision where non-Plenum cable is allowed to be exposed in a plenum area? True. If all the provisions of Article 645 are followed, listed non-plenum cable can be installed.

Bonus question: Does Article 645 apply to Modular Data Centers? True or False?



2018 BICSI Fall Conference & Exhibition



**Bicsi**



# Article 645 Information Technology Equipment



Answer to the panel question: The Code has a special provision where non-Plenum cable is allowed to be exposed in a plenum area? True. If all the provisions of Article 645 are followed, listed non-plenum cable can be installed.

Bonus question: Does Article 645 apply to Modular Data Centers? False Article 646 Modular Data Centers was added in the 2014 Edition.



2018 BICSI Fall Conference & Exhibition



**Bicsi**



**Questions?**



2018 BICSI Fall Conference & Exhibition



**Bicsi**

# Fiber Optic Cables



- NEC Article 770 is dedicated to this special type of cable.
- The Code recognizes its intrinsic properties of being a dielectric and having cable properties that are completely non-conductive.
- You can do some things with fiber optic cable that cannot be done with any other types of telecommunications cabling.

Question to the panel: Can you install a OFNR rated fiber optic cable with a 480V power circuit in a cable tray? True or False.



2018 BICSI Fall Conference & Exhibition



**Bicsi**

# Fiber Optic Cables

- Article 770 follows the same organization of information as Article 800
  - I. General
  - II. Cables Outside and Entering Building
  - III. Protection
  - IV. Grounding Methods
  - V. Installation Methods Within Buildings
  - VI. Listing Requirements



2018 BICSI Fall Conference & Exhibition



**Bicsi**

# Fiber Optic Cables

The 2017 Code moved several definitions to Article 100.

Optical Fiber Cable definition in 2014 was expanded to include a field assembled cable.

Article 100

**Optical Fiber Cable.** A factory assembly or field assembly of one or more optical fibers having an overall covering. (CMP-16)

Informational Note: A field-assembled optical fiber cable is an assembly of one or more optical fibers within a jacket. The jacket, without optical fibers, is installed in a manner similar to conduit or raceway. Once the jacket is installed, the optical fibers are inserted into the jacket, completing the cable assembly.



2018 BICSI Fall Conference & Exhibition



**Bicsi**

# Fiber Optic Cables

## OFNR: Optical Fiber Nonconductive Riser

**Nonconductive Optical Fiber Cable.** A factory assembly of one or more optical fibers having an overall covering and containing no electrically conductive materials.

## OFNR: Optical Fiber Conductive Riser

**Conductive Optical Fiber Cable.** A factory assembly of one or more optical fibers having an overall covering and containing non-current-carrying conductive member(s) such as metallic strength member(s), metallic vapor barrier(s), metallic armor or metallic sheath.

A popular cable to install is an armored wrapped OFNR cable. The armor is conductive. Even though the inner fiber optic cable is jacketed from the manufacture as OFNR, the overall listing with the armor is now OFCR.



2018 BICSI Fall Conference & Exhibition



**Bicsi**



# Fiber Optic Cables With Power

- 770.133 Installation of Optical Fiber and Electrical Conductors

Conditions for Fiber to share space with power (Electrical Light, Power, Class 1, Non-Power-Limited Fire Alarm, Med Power Network-Powered Broadband Communication Circuits).	Permitted	Not Permitted
Composite Fiber Cable consisting of fiber and power conductors 1000v or less only where function of the fiber and power are associated. Cable tray, Raceway, Outlet Box, Panel, Enclosure	X	
Non-Conductive Fiber (OFN) 1000v or Less: Cable Tray and Raceway	X	
Non-Conductive Fiber (OFN) 1000v or Less: Cabinet, Outlet Box, Panel, Enclosure		X
Non Conductive Fiber (OFN) over 1000v:Cable tray, Raceway, Cabinet, Outlet Box, Panel, Enclosure		X
Conductive Fiber (OFC): Any condition		X

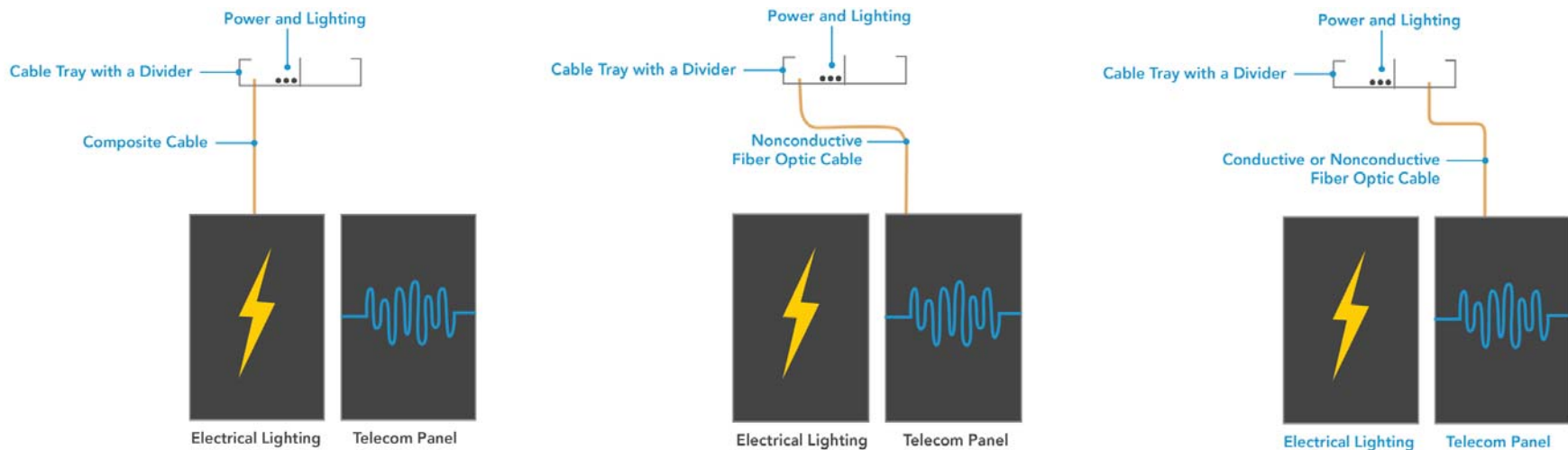




Conditions for Fiber to share space with power (Electrical Light, Power, Class 1, Non-Power-Limited Fire Alarm, Med Power Network-Powered Broadband Communication Circuits).	Permitted	Not Permitted
Exception 1: <u>Non-Conductive Fiber (OFN), Same cabinet, outlet box, panel, enclosure where functionally associated with power</u>	X	
Exception 2: <u>Non-Conductive Fiber (OFN), Same cabinet, outlet box, panel, enclosure where cables installed in a factory or field-assembled control center</u>	X	
Exception 3: <u>Non-Conductive Fiber (OFN), Same cabinet, outlet box, panel, enclosure , cable tray and raceway: Only in industrial environments where conditions of maintenance and supervision ensure only qualified persons service the installation of fiber with power exceeding 1000v.</u>	X	
Exception 4: <u>Composite Fiber Cable</u> consisting of fiber and power conductors. Only in industrial environments where conditions of maintenance and supervision ensure only qualified persons service the installation of fiber with power exceeding 1000v.	X	
Exception 5: When all conductors of power are separated by permanent of listed barrier.	X	



# Fiber Optic Cables



Answer to the panel Question: Can you install a OFNR rated fiber optic cable with a 480V power circuit in a cable tray? True



2018 BICSI Fall Conference & Exhibition



Bicsi

# Fiber Optic Cables

- 770.110 Raceways and Cable Routing Assemblies for Optical Fiber Cables

**(3) Innerduct for Optical Fiber Cables.** Listed plenum communications raceway, listed riser communications raceway, and listed general-purpose communications raceway selected in accordance with the provisions of Table 800.154(b) shall be permitted to be installed as innerduct in any type of listed raceway permitted in Chapter 3.

Note: Optical Raceway was replaced with Communications Raceway in 2014

- 770.24 Mechanical Execution of Work
  - References the same Articles as 725 & 800, Articles 300.4(D) through (G) and 300.11

Cable Tray Fill and Unlisted Cables discussed with the other cable types.





**Questions?**



2018 BICSI Fall Conference & Exhibition



**Bicsi**

# Raceway

- Article 100 Definitions

**Raceway.** An enclosed channel of ~~metallic or nonmetallic materials~~ designed expressly for holding wires, cables, or busbars, with additional functions as permitted in this Code.

*Informational Note:* A raceway is identified within specific article definitions.

**Communications Raceway.** An enclosed channel of nonmetallic materials designed expressly for holding communications wires and cables; optical fiber cables; data cables associated with information technology and communications equipment; Class 2, Class 3, and Type PLTC cables; and power-limited fire alarm cables ; ~~typically communications wires and cables and optical fiber and data (Class 2 and Class 3)~~ in plenum, riser, and general-purpose applications.

**Cable Routing Assembly.** A single channel or connected multiple channels, as well as associated fittings, forming a structural system that is used to support and route communications wires and cables, optical fiber cables, data cables associated with information technology and communications equipment, Class 2 and Class 3 cables, and power limited fire alarm cables.





# Raceway

- 300.17 Number and Size of conductors in a Raceway

The number and size of conductors in any raceway shall not be more than will permit dissipation of the heat and ready installation or withdrawal of the conductors without damage to the conductors or to their insulation.

**Informational Note:** See the following sections of this *Code*: intermediate metal conduit, 342.22; rigid metal conduit, 344.22; flexible metal conduit, 348.22; liquidtight flexible metal conduit, 350.22; PVC conduit, 352.22; HDPE conduit, 353.22; RTRC, 355.22; liquidtight nonmetallic flexible conduit, 356.22; electrical metallic tubing, 358.22; flexible metallic tubing, 360.22; electrical nonmetallic tubing, 362.22; cellular concrete floor raceways, 372.11; cellular metal floor raceways, 374.5; metal wireways, 376.22; nonmetallic wireways, 378.22; surface metal raceways, 386.22; surface nonmetallic raceways, 388.22; underfloor raceways, 390.6; fixture wire, 402.7; theaters, 520.6; signs, 600.31(C); elevators, 620.33; audio signal processing, amplification, and reproduction equipment, 640.23(A) and 640.24; Class 1, Class 2, and Class 3 circuits, Article 725; fire alarm circuits, Article 760; and optical fiber cables and raceways, Article 770.



2018 BICSI Fall Conference & Exhibition



**Bicsi**

# Raceway

- Article 392 Cable Trays

**392.2 Definition.**

**Cable Tray system.** A unit or assembly of units or sections and associated fittings forming a structural system used to securely fasten or support cables and raceways.

- Note: Cable Trays are not raceways.



2018 BICSI Fall Conference & Exhibition



**Bicsi**



# Raceway

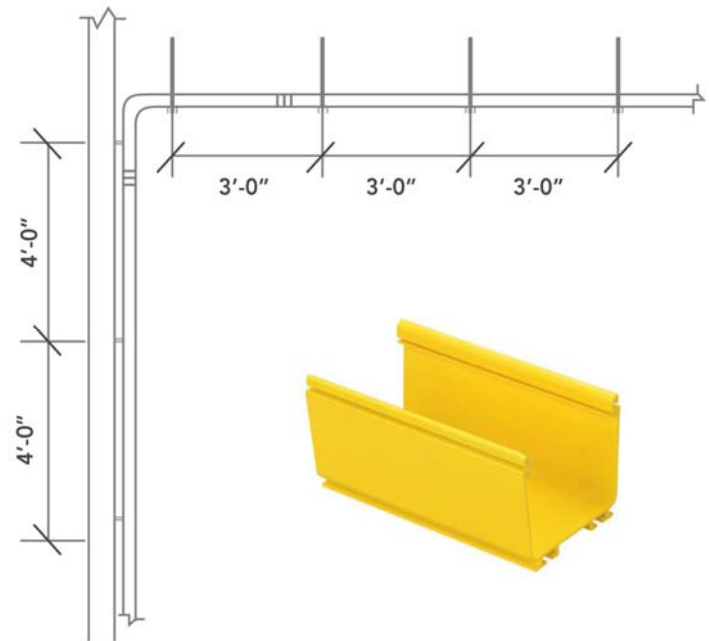
- Article 800.110 Raceways and Cable Routing Assemblies for Communications Wires and Cables
  - Recognizes the raceway types and installation listed in Ch. 3 (EMT, IMC, RMC...) or
  - Recognizes communication raceway installed per 362.24 through 362.56 – Electrical Nonmetallic Tubing (ENT)
    - Listed Plenum, Riser & General Communications Raceway

**(B) Raceway Fill for Communications Wires and Cables.** The raceway fill requirements of Chapters 3 and 9 shall not apply to communications wires and cables.



# Raceway

- 800.110 (C) Cable Routing Assemblies
- The 2011 NEC® Added Cable Routing Assemblies. The 2014 NEC® further defined these. 2017 NEC® expanded the use for plenum spaces.
- Defined parameters for horizontal and vertical support
  - Horizontal: Every 3 ft and each joint unless listed for a longer support but not to exceed 10 ft.
  - Vertical: Every 4 ft unless listed for a longer support and shall not have more than 1 joint between supports



# Raceway

- Article 725.24 Mechanical Execution of Work
  - Allows Class 2 circuits to be installed exposed on the surface of ceilings and side walls using the building structure for support and in accordance with 300.4(D). Note: Cables do not have to be in raceway.
  - 725.154 and Table 725.154 addresses Plenums, Risers and “Other Wiring Within Buildings”. Allows cable to installed in raceway, communication raceway and cable tray
  - 725.179 Edited for LP rated cable



# Raceway

- 725.3 (A)

(A) Number and Size of Conductors in Raceway. Section 300.17.

- 300.17

**300.17 Number and Size of Conductors in a Raceway.** The number and size of conductors in any raceway shall not be more than will permit dissipation of the heat and the ready installation or withdrawal of the conductors without damage to the conductors or to their insulation.

- 300.17 Informational note: Lists all of the raceway types for the number and size of conductors.



# Raceway

- Although 300.17 considers the number of conductors based on heat and other factors, Article 725 recognizes the cables in Article 725 as being different.

**725.1 Scope.** This article covers remote-control, signaling, and power-limited circuits that are not an integral part of a device or appliance of utilization equipment.

Informational Note: The circuits described herein are characterized by usage and electrical power limitations that differentiate them from electric light and power circuits; therefore, alternative requirements to those of Chapters 1 through 4 are given with regard to minimum wire sizes, ampacity adjustment and correction factors, overcurrent protection, insulation requirements, and wiring methods and materials.



# Raceway

- Raceway fill tables are referenced in the different raceway sections. For example, in Article 358 EMT

**358.22 Number of Conductors.** The number of conductors shall not exceed that permitted by the percentage fill specified in Table 1, Chapter 9.

- Table 1, Chapter 9 states for over 2 cables the percent of cross section of conduit not to exceed 40%.
- Follow TIA/EIA 569-D for pathway fill and perimeter raceways for both Article 800 and 725 cables. In para 9.10.4 and 9.12.2.1.1 is 40% fill.



# Raceway

TIA-569-B

Not included in TIA-569-C

### 8.8.2.3 Sizing

Conduits used for horizontal cables should be sized per table 9. Backbone conduits should be designed based on the fill specifications identified in table 10 or table 11, as appropriate.

NOTE – Conduit sizing may be affected when the cabling is used exclusively for computers (see Article 725 of the National Electrical Code).

Table 9 – Conduit sizing for horizontal cables

Conduit trade size	Maximum number of cables based upon allowable fill							
	Cable outside diameter, mm (in)							
	3.3 (.13)	4.6 (.18)	5.6 (.22)	6.1 (.24)	7.4 (.29)	7.9 (.31)	9.4 (.37)	13.5 (.53)
16 (½)	1	1	0	0	0	0	0	0
21 (¾)	6	5	4	3	2	2	1	0
27 (1)	8	8	7	6	3	3	2	1
35 (1¼)	16	14	12	10	6	4	3	1
41 (1 ½)	20	18	16	15	7	6	4	2
53 (2)	30	26	22	20	14	12	7	4

Copyright © 2018 BICSI





# Raceway



- Article 770.110 Raceways for Optical Fiber Cables
  - Recognizes the raceway types and installation listed in Ch. 3 (EMT, IMC, RMC...) or
  - Recognizes “Communication” raceways installed per 362.24 through 362.56 – Electrical Nonmetallic Tubing (ENT)
    - Listed Plenum, Riser & General Communication Raceway
  - Added Cable Routing Assemblies.
    - Same definition and limits of 800.110 (C)

Question to the panel: Raceway fill table never apply to fiber optic cables? True or False?



2018 BICSI Fall Conference & Exhibition



**Bicsi**

# Raceway

- 770.110 (B) Raceway Fill for Optical Cables.

(B)(2) Nonconductive Optical Fiber Cables with Electric Light or Power Conductors. Where nonconductive optical fiber cables are installed with electric light or power conductors in a raceway, the raceway fill requirements of Chapter 3 and 9 shall apply.

Answer to the panel question: Raceway fill table never apply to fiber optic cables? False?



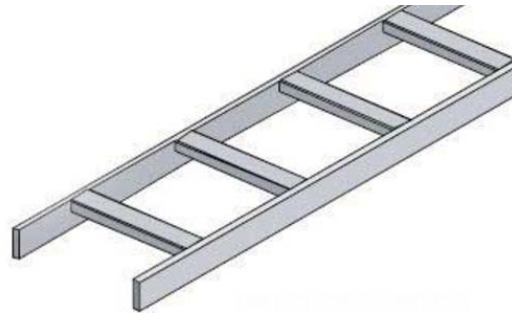
2018 BICSI Fall Conference & Exhibition



**Bicsi**

# Cable Tray

- Cable Tray used to support cable and raceways. 392.2
- Class 2 , Communications, Fiber Optic Cables, CATV and Radio Distribution System, Low-Power Network Powered Broadband Communication Circuits can be in the same cable tray.
  - 725.139(E)
  - 770.133 (B)
  - 800.133(A)(1)
  - 820.133 (A)(1)
  - 830.133 (A)(1)



# Cable Tray

- Cable Tray Fill
  - Articles 800, 820 and 830 do not address cable tray fill.
    - For these cables refer to TIA/EIA 569D
  - Article 770 address tray fill only when cables are routed with power conductors.
  - Article 725 references Article 392 Cables Trays directly in 725.3 (E).



2018 BICSI Fall Conference & Exhibition



**Bicsi**

# Cable Tray

- Class 2 Cable – Cable Tray fill
  - 392.22 Number of Conductors or Cables
    - (A)(2) Ladder or Ventilated Trough Cable Trays Contain Multiconductor Control and/or Signal Cables.
      - 50% fill for Ladder or Ventilated with 6-inch usable fill depth or less.
    - (A)(4) Solid Bottom Cable Tray Containing Multiconductor Control and/or Signal Cable Cables Only.
      - 40% fill for Solid Bottom Tray, 6-inch usable fill depth or less

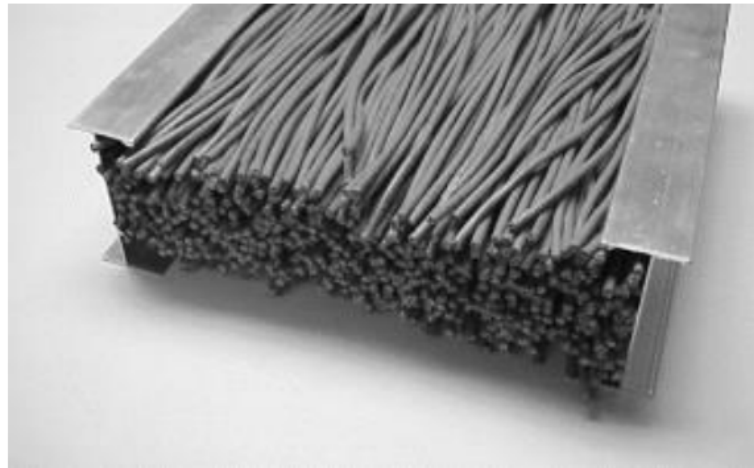
## **392.22 Number of Conductors or Cables.**

(A) Number of Multiconductor Cables, Rated 2000 Volts or Less, in Cable Trays. The number of multiconductor cables, rated 2000 volts or less, permitted in a single cable tray shall not exceed the requirements of this section. The conductor sizes shall apply to both aluminum and copper conductors. Where dividers are used, fill calculations shall apply to each divided section of the cable tray.



# Cable Tray

ANSI/TIA-569-D



**Figure 14 – Cable tray with 5.5 mm (0.22 in) diameter cables at 50% calculated fill**

**NOTE** – This photograph does not constitute an endorsement by TIA or this Committee of the product in the image. Alternative products or technologies may be substituted.

Image and text from TIA 569-D



2018 BICSI Fall Conference & Exhibition



**Bicsi**

# Cable Tray

- Article 392.56 allows for cable splices in a cable tray but does not identify cable terminations in a cable tray. Therefore it is assumed terminations in a tray are not allowed.
- Article 392.18 (G) Raceways, Cables, Boxes, and Conduit Bodies supported from Cable Tray Systems.
  - In industrial facilities where there is supervision to ensure qualified persons....
    - Boxes and conduit bodies can be supported from the bottom and side of the cable tray.



2018 BICSI Fall Conference & Exhibition



**Bicsi**



# Cable Tray

- 392.60 Grounding and Bonding:

**(A) Metallic Cable Trays.** Metallic cable trays shall be permitted to be used as equipment grounding conductors where continuous maintenance and supervision ensure that qualified persons service the installed cable tray system and the cable tray complies with provisions of this section. Metallic cable trays that support electrical conductors shall be grounded as required for conductor enclosures in accordance with 250.96 and Part IV of Article 250. Metal cable trays containing only non-power conductors shall be electrically continuous through approved connections or the use of a bonding jumper.

**Informational Note:** Examples of non-power conductors include nonconductive optical fiber cables and Class 2 and Class 3 Remote Control Signaling and Power Limiting Circuits.





**Questions?**



2018 BICSI Fall Conference & Exhibition



**Bicsi**

# The Bonding of Conduit Sleeves



- What is the difference between bonding and grounding?
- Article 100 Definitions

**Bonded (Bonding).** Connected to establish electrical continuity and conductivity.

**Grounded) (Grounding).** Connected (connecting) to ground or to a conductive body that extends the ground connection.

**Ground.** The earth

Question to the panel: You don't have to ground a conduit sleeve. True or False?



2018 BICSI Fall Conference & Exhibition



**Bicsi**

# The Bonding of Conduit Sleeves

- We have already established:
  - Communications cable, data cable and fiber optic cable can be routed exposed. Therefore a conduit sleeve would be a way to protect the cables as they transition through walls and floors.
  - Article 800 and 770 Chapter 3 applies for raceway types and their installation.
  - Article 725 does not have the same specific reference to raceway in Ch. 3 as 800 and 770. Section 300.17 is called out in 725.3 Other Articles for the number and size of conductors in a raceway.



2018 BICSI Fall Conference & Exhibition



**Bicsi**

# The Bonding of Conduit Sleeves

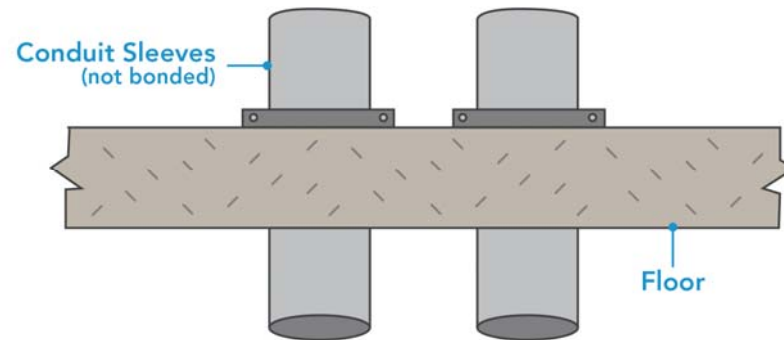
- 300.10 Electrical Continuity of Metal Raceways and Enclosures. Metal raceways, cable armor, and other metal enclosures shall be metallically joined together into a continuous electrical conductor and shall be connected to all boxes, fittings, and cabinets
- Part IV of Article 250 addresses the ground and bonding of Enclosures, Raceway and Service Cable Connections.

**250.86 Other Conductor Enclosure and Raceways.** Except as permitted by 250.112(l), metal enclosures and raceway for other than service conductors shall be connected to the equipment grounding conductor.



# The Bonding of Conduit Sleeves

**250.86 Exception No. 2:** Short sections of metal enclosures or raceways used to provide support or protection of cable assemblies from physical damage shall not be required to be connected to the equipment grounding conductor.



Answer to the panel Question: You don't have to ground a conduit sleeve. True



2018 BICSI Fall Conference & Exhibition



Bicsi



# The Bonding of Conduit Sleeves

- Additional sections that apply:
  - 250.96 (A) General: Metal raceways, cable tray,...enclosures,...and other non-current-carrying parts that are to serve as equipment grounding conductors, shall be bonded where necessary to ensure electrical continuity....



2018 BICSI Fall Conference & Exhibition

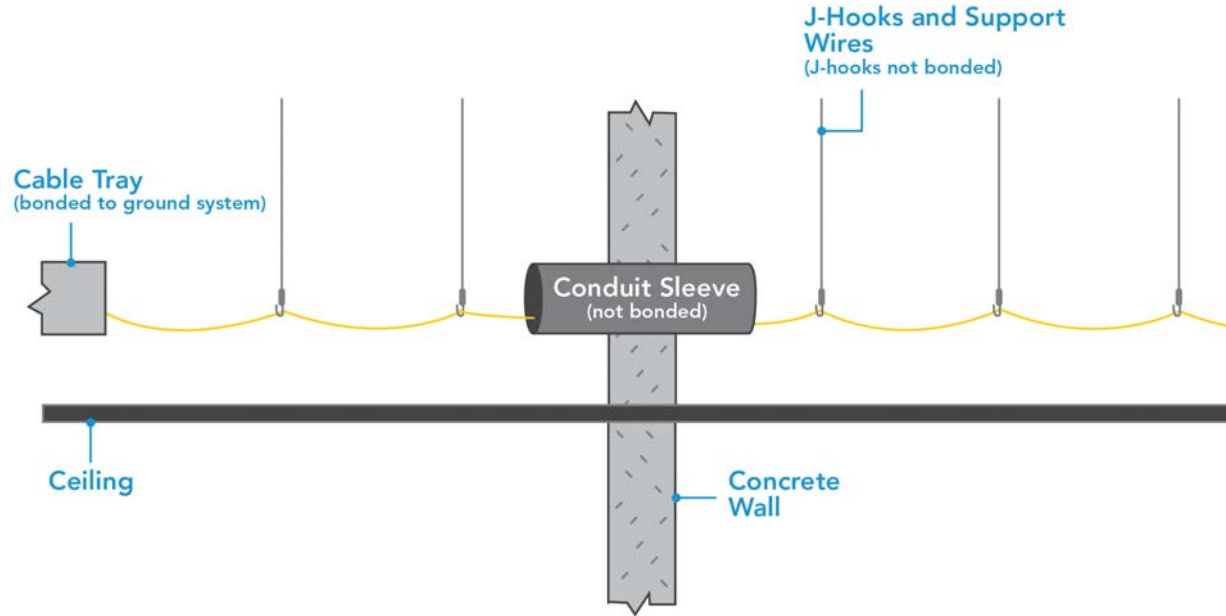


**Bicsi**



# The Bonding of Conduit Sleeves

- Example 1

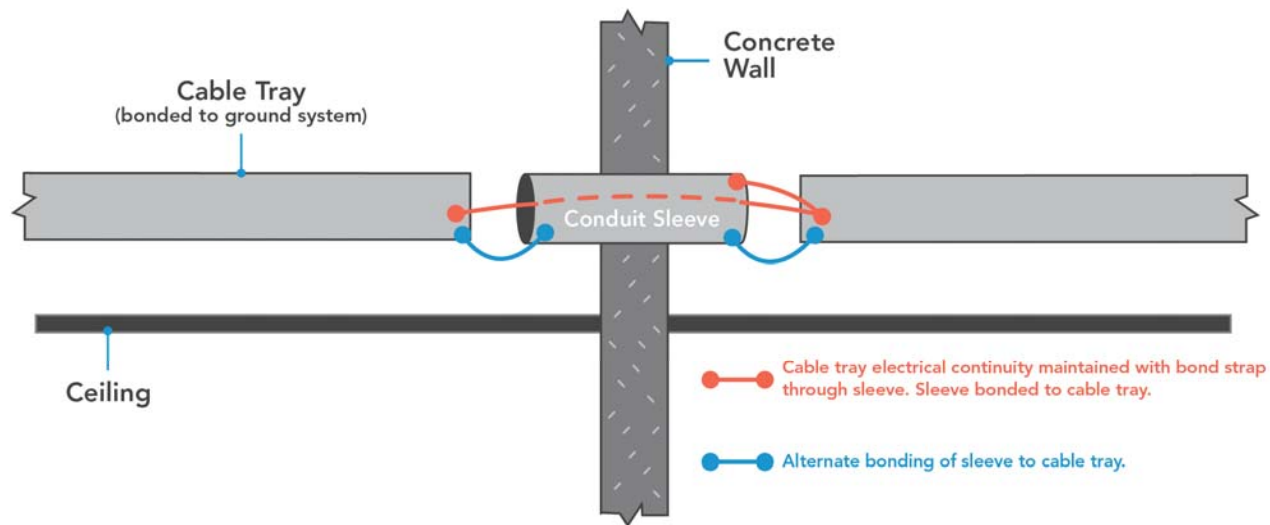


2018 BICSI Fall Conference & Exhibition



# The Bonding of Conduit Sleeves

- Example 2



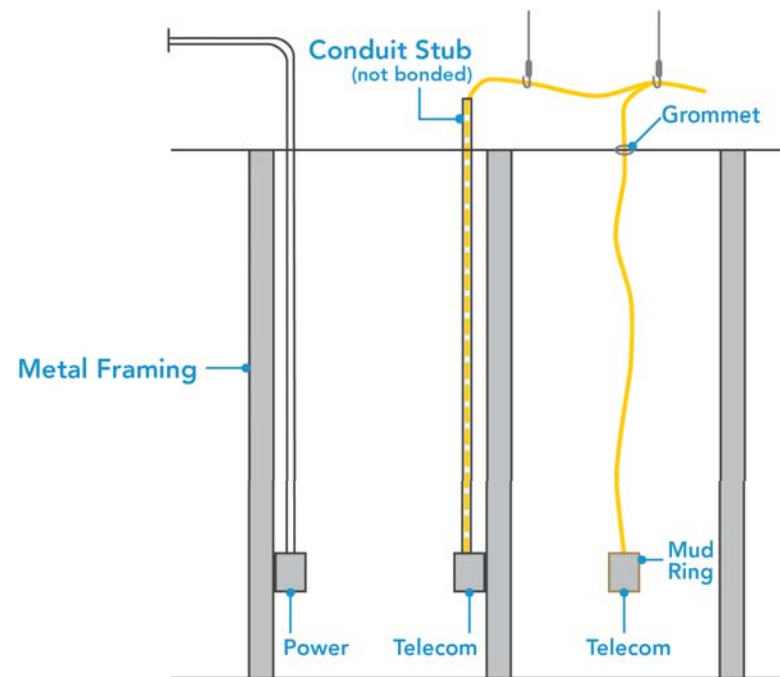
2018 BICSI Fall Conference & Exhibition



Bicsi

# The Bonding of Conduit Sleeves

- Example 3





**Questions?**



2018 BICSI Fall Conference & Exhibition



**Bicsi**

# Unlisted Cables Entering a Building

- An unlisted cable is cable that does not have a listing recognized by the NEC or is not listed to be in a building.
- Example of listed cables:
  - CMR, CLP, OFNR, CATV, BLR
- Example of unlisted cables
  - PE39 and PE89 listed by REU but not NEC.
  - BLU cable is listed but for only underground use, not for in buildings.



# Unlisted Cables Entering a Building



- Article 725 only allows for Listed Cables.
- Article 770.48 Unlisted Cables and Raceways

**(A) Conductive and Nonconductive Cables.** Unlisted conductive and nonconductive outside plant optical fiber cables shall be permitted to be installed in building spaces, other than risers, ducts used for environmental air, plenums used for environmental air, and other spaces used for environmental air, where the length of the cable within the building, measured from its point of entrance, does not exceed 15 m (50 ft) and the cable enters the building from the outside and is terminated in an enclosure.

The point of entrance shall be permitted to be extended from the penetration of the external wall or floor slab by continuously enclosing the entrance optical fiber cables in rigid metal conduit (RMC) or intermediate metal conduit (IMC) to the point of emergence.





# Unlisted Cables Entering a Building

- Article 770.48 Unlisted Cables and Raceways

**(B) Nonconductive Cables in Raceway.** Unlisted nonconductive outside plant optical fiber cables shall be permitted to enter the building from the outside and shall be permitted to be installed in any of the following raceways:

- (1) Intermediate metal conduit (IMC)
- (2) Rigid metal conduit (RMC)
- (3) Rigid polyvinyl chloride conduit (PVC)
- (4) Electrical metallic tubing (EMT)

Unlisted nonconductive outside plant cables installed in rigid polyvinyl chloride conduit (PVC) or electrical metallic tubing (EMT) shall not be permitted to be installed in risers, ducts used for environmental air, plenums used for environmental air, and other spaces used for environmental air.





# Unlisted Cables Entering a Building

- **Article 800.48 Unlisted Cables Entering a Building.**

**800.48 Unlisted Cables Entering Buildings.** Unlisted outside plant communications cables shall be permitted to be installed in building spaces other than risers, ducts used for environmental air, plenums used for environmental air, and other spaces used for environmental air, where the length of the cable within the building, measured from its point of entrance, does not exceed 15 m (50 ft) and the cable enters the building from the outside and is terminated in an enclosure or on a listed primary protector. The point of entrance shall be permitted to be extended from the penetration of the external wall or floor slab by continuously enclosing the entrance cables in rigid metal conduit (RMC) or intermediate metal conduit (IMC) to the point of emergence.

Nowhere does it say you can add pull boxes or conduit bodies.



2018 BICSI Fall Conference & Exhibition



**Bicsi**

# Unlisted Cables Entering a Building

- 800.2 Definitions

Point of Entrance. The point within a building at which the communications wire or cable emerges from an external wall, from a concrete floor slab, ~~from rigid metal conduit (RMC) or from intermediate metal conduit (IMC).~~

- 770.2 Definitions

**Point of Entrance.** The point within a building at which the optical fiber cable emerges from an external wall or from a concrete floor slab. ~~, from rigid metal conduit (RMC), or from intermediate metal conduit (IMC).~~



# Unlisted Cables Entering a Building

- 770.2 Definitions
- More than 50ft of non-listed cable can be installed in a building if routed in RMC or IMC for copper or fiber.
  - Providing the copper doesn't need a primary protector or the protector can be installed closer than 50ft.
  - Fiber optic cable can be installed in rigid PVC or EMT but these cannot be used to extend the point of entrance.

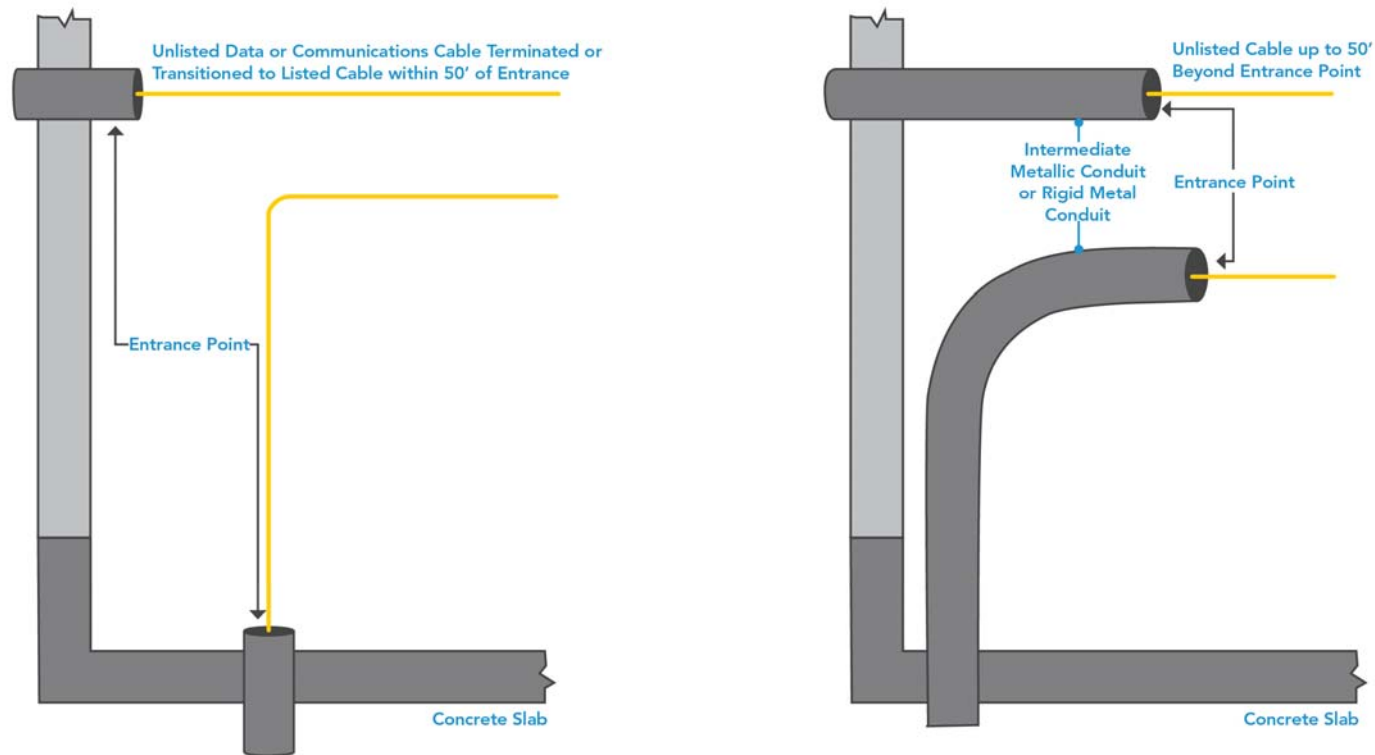


2018 BICSI Fall Conference & Exhibition



**Bicsi**

# Unlisted Cables Entering a Building



2018 BICSI Fall Conference & Exhibition



# Circuit Protection

- Article 770 Part III: Does not require circuit protection. It does require non-current carrying conductors to be grounded or interrupted by an insulating joint or device.
- Article 725: Does not deal with circuit protection directly and instead refers you to Article 800 for circuits extending beyond one building, paragraph 725.141.



2018 BICSI Fall Conference & Exhibition



**Bicsi**

# Circuit Protection

- Article 800 dedicates all of Part 3 to Protection
- 800.90 (A) Application.
  - Protectors are required on every circuit when:
    - the circuit is partly or entirely in aerial wire or cable not confined within a block
    - aerial or underground cable is located within a block exposed to power over 300 volts to ground
    - where there exists lightning exposure
- Informational Note No.1 advises for circuits not exposed to 300 volts to ground, providing listed protectors helps protect against other hazards such as lightning and above-normal voltage induced by fault currents.



# Circuit Protection

- 800.90 (A) Information Note No.2 goes into more detail in the explanation of lightning exposure.

Informational Note No. 2: Interbuilding circuits are considered to have a lightning exposure unless one or more of the following conditions exist:

- in large metro areas where buildings are close together and high enough to intercept the lightning.
- Interbuilding cable runs 140 feet or less, with a metallic shield or in a continuous metal conduit where both ends are connected to the building grounding electrode.
- Areas having an average 5 or less thunderstorms per year and an earth resistivity of 100 ohm-meters. Such as on the Pacific Coast.



2018 BICSI Fall Conference & Exhibition



**Bicsi**





# Circuit Protection

- Primary & Secondary Protectors.
  - The protector for the incoming service is the primary protector.
  - The use of a secondary protector between the primary protector and the indoor cabling or equipment is allowed by the Code.
    - The secondary protector has to be Listed for its purpose.
    - A secondary protector cannot be in lieu of a primary protector.
    - These are often seen on the incoming lines into a KSU telephone switch or telecom equipment to provide an extra level of protection.



2018 BICSI Fall Conference & Exhibition



**Bicsi**

# Circuit Protection

- Fuseless and fused protectors
  - Fuseless are the most common protectors sold for telephony.
    - Solid State and Gas Tube protectors are designed to automatically reset after the surge has passed.
    - 800.90 (A) (1) list several permitted conditions which fuseless protectors can be used.
    - If conditions cannot be met, a fuse type protector must be used.
  - Fused protectors are good for one surge and then they create an open circuit and must be replaced.



2018 BICSI Fall Conference & Exhibition



**Bicsi**

The End

Tim Kuhlman

tim.kuhlman@teecom.com



Submit Questions at:

<http://teecom-1.hs-sites.com/bicsi2018>



2018 BICSI Fall Conference & Exhibition



*Bicsi*

# Summary of Amendments and Errata

- NEC 2017 Errata 70-17-1: No impact to Telecom
- NEC 2017 Errata 70-17-2:

**Reference:** 840.3(G)

**Errata No:** 70-17-2

Code-Making Panel 16, and the Correlating Committee on National Electrical Code note the following errors in the 2017 edition of *NFPA 70*<sup>®</sup>, *National Electrical Code*<sup>®</sup>.

*1. Update a reference in 840.3(G) to read as follows:*

**840.3(G) Electrical Classification of Data Circuits and Cables.** Sections 725.139(D)(1) and 800.133(A)(1)(b) shall apply to the electrical classification of Class 2 and Class 3 circuits in the same cable with communications circuits.



2018 BICSI Fall Conference & Exhibition



**Bicsi**



# Summary of Amendments and Errata

- NEC 2017 Errata 70 17 3

4. In Table 725.154, for the applications “In fabricated ducts as described in 300.22(B)” and “Within buildings in other than air-handling spaces and risers”, insert missing horizontal lines, to read as follows:

In fabricated ducts as described in 300.22(B)	In fabricated ducts	Y*	N	N	N	N	N
	In metal raceway that complies with 300.22(B)	Y*	Y*	Y*	Y*	N	Y*
Within buildings in other than air-handling spaces and risers	General	Y*	Y*	Y*	Y*	N	Y*
	In one- and two-family dwellings	Y*	Y*	Y*	Y*	Y*	Y*

5. In Table 760.154, for the application “In risers” insert a missing vertical line to read as follows:

In risers	In vertical runs	Y*	Y*	N
-----------	------------------	----	----	---



# Summary of Amendments and Errata

- NEC 2017 Errata\_70\_17\_4

Code-Making Panel 8, and the Correlating Committee on National Electrical Code note the following errors in the 2017 edition of *NFPA 70*<sup>®</sup>, *National Electrical Code*<sup>®</sup>.

1. Update reference in 392.80(A)(1)(a) to read as follows:

**392.80 Ampacity of Conductors.**

**(A) Ampacity of Cables, Rated 2000 Volts or Less, in Cable Trays.**

Informational Note: See 110.14(C) for conductor temperature limitations due to termination provisions.

**(1) Multiconductor Cables.** The allowable ampacity of multiconductor cables, nominally rated 2000 volts or less, installed according to the requirements of 392.22(A) shall be as given in Table 310.15(B)(16) and Table 310.15(B)(18), subject to the provisions of (A)(1)(a), (b), (c), and 310.15(A)(2).

(a) The adjustment factors of ~~310.15(A)(3)(a)~~ 310.15(B)(3)(a) shall apply only to multiconductor cables with more than three current-carrying conductors. Adjustment factors shall be limited to the number of current-carrying conductors in the cable and not to the number of conductors in the cable tray.





# Summary of Amendments and Errata

- Amendment TIA\_70\_17\_3

**Reference:** 770.110(A)(2)

**TIA 17-3**

*(TIA Log #1251)*

Pursuant to Section 5 of the NFPA *Regulations Governing the Development of NFPA Standards*, the National Fire Protection Association has issued the following Tentative Interim Amendment to NFPA 70<sup>®</sup>, *National Electrical Code*<sup>®</sup>, 2017 edition. The TIA was processed by the National Electrical Code Panel 16 and the NEC Correlating Committee, and was issued by the Standards Council on March 14, 2017, with an effective date of April 3, 2017.

A Tentative Interim Amendment is tentative because it has not been processed through the entire standards-making procedures. It is interim because it is effective only between editions of the standard. A TIA automatically becomes a public input of the proponent for the next edition of the standard; as such, it then is subject to all of the procedures of the standards-making process.

*1. Revise 770.110(A)(2) to read as follows:*

**770.110(A)(2) Communications Raceways.** Optical fiber cables shall be permitted to be installed in plenum communications raceways, riser communications raceways, and general-purpose communications raceways selected in accordance with Table 800.154(b), listed in accordance with ~~800.182~~800.113, and installed in accordance with 800.113 and 362.24 through 362.56, where the requirements applicable to electrical nonmetallic tubing (ENT) apply.



2018 BICSI Fall Conference & Exhibition



**Bicsi**